

# CERTIFIED PRODUCTS DIRECTORY

SEALED INSULATING GLASS

PHONE (315) 646-2234

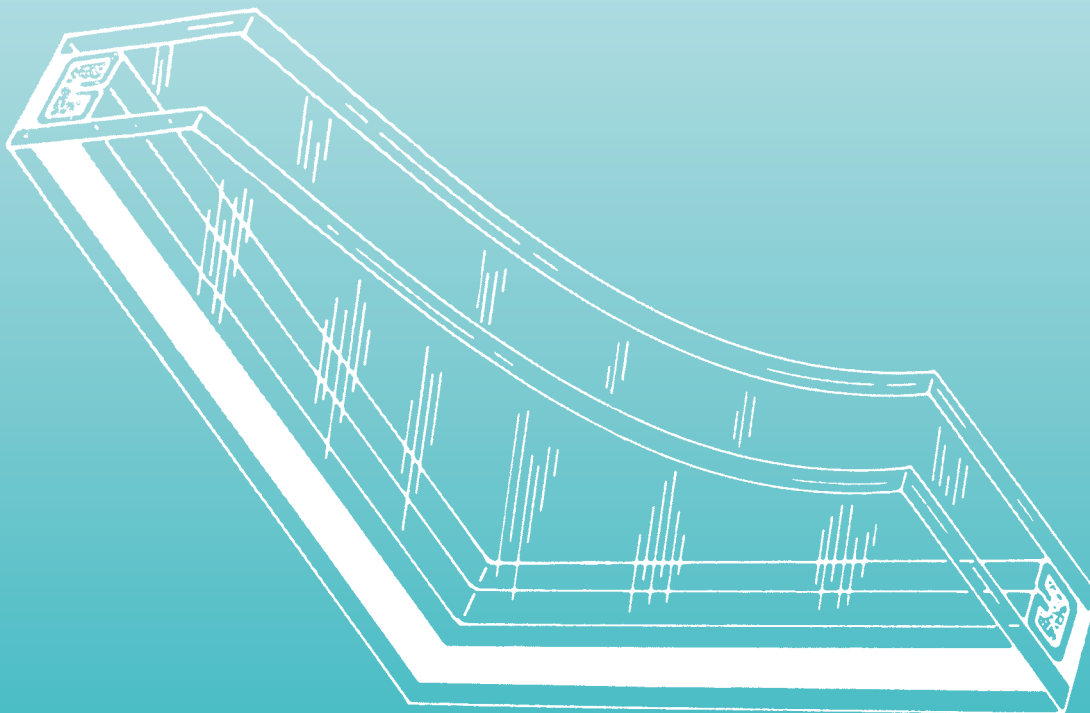
August 2020



#0961

ISO/IEC 17065

Product Certification Body



IGCC® and IGMA® Certification programs have been combined into a single certification program designated IGCC®/IGMA®. IGCC® will license the use of the IGMA® trademark and direct certification with IGMA® support.



CREDIBILITY IN INDUSTRY CERTIFICATION THROUGH ACTIVE PUBLIC PARTICIPATION

Visit Our Website @ [WWW.IGCC.ORG](http://WWW.IGCC.ORG)

## TABLE OF CONTENTS

IGCC® Program Concept .....	2
Accreditation .....	4
IGCC® Board of Governors .....	5
Certification Committee .....	6
Communications .....	11
Participants .....	11
Past IGCC® Presidents' Recognition .....	13
Meetings of the Certification Committee .....	13
Certified Products Key .....	14
Certified Products (Alphabetically By Plant) .....	15
Prototypes in Progress .....	59
Procedural Guide .....	62
IGCC®/IGMA® Label Requirements .....	68
Advertising Guidelines .....	69
Quality Assurance Program .....	71
Gas Content Initial & After Weathering Certification & Testing (GCIA) .....	72
Component Validation .....	73
Guidelines & Interpretations .....	73
Guidelines: Always .....	74
Guidelines: Never .....	77
Internal Components.....	79
Specifications Used .....	87
Participant's Agreement .....	88
License Agreement .....	91
IGCC®/IGMA® Approved Laboratories .....	96

Certification information and guidelines are included in the twice per year printing of the Certified Products Directory or are available from IGCC® upon request. Re-printing of this information in any other manual, material or document without the written permission of IGCC® is in conflict with the desire of IGCC® and should not be interpreted as being endorsed by or affiliated with IGCC®.

By Insulating Glass Certification Council, Copyright © 2020 - All Rights Reserved

## **IGCC®/IGMA® PROGRAM**

The IGCC®/IGMA® Certification Program is the product of the effort to harmonize the legacy IGCC® and IGMA® certification programs. After several years of reviewing the two former certification processes, best practices were identified and on February 3<sup>rd</sup>, 2009 an agreement was signed where IGCC® shall license the use of the IGMA® certification mark in the administration of a single combined program known as IGCC®/IGMA®. The single program will operate under one set of requirements and guidelines and allow former participants in either IGCC® or IGMA® certification to label with IGCC®/IGMA® thus enjoying the greater recognition of both marks. IGCC® shall administer and govern the IGCC®/IGMA® program on behalf of IGMA® and IGCC® in accordance with the program requirements as set forth in the IGCC®/IGMA® Certified Products Directory and Procedural Guide.

The IGCC® Board of Governors is responsible, pursuant to the IGCC® Corporate Bylaws, for all corporate decisions concerning certification of products under the IGCC®/IGMA® Certification Program. The IGCC® Board will at all times be composed of individuals representing the public interest and individuals representing the insulating glass industry in equal proportion.

IGMA® may make recommendations to the IGCC® Board regarding the IGCC®/IGMA® Certification Program and may appeal any decision of the IGCC® regarding certification or the IGCC®/IGMA® Certification Program.

## **IGCC® PROGRAM CONCEPT**

Manufacturers of sealed insulating glass units, consumers, specifiers and others who are responsible for or concerned with the quality and performance of products purchased in the public interest, recognizing a need for a sound product testing and performance certification program, have jointly established the Insulating Glass Certification Council (IGCC®). Founded in 1977, all IGCC® meetings are open to the public and public participation is encouraged.

IGCC® is a non-profit organization which sponsors and directs a program of periodic accelerated laboratory testing and plant audits to ensure continuing product performance through specified standards. The testing specifications used are outlined in "ASTM Specification E2190 for Sealed Insulating Glass." It is the policy of IGCC® to remain flexible in referencing specifications and test methods in order to best reflect changing technology and new developments.

IGCC®'s responsibilities through its administrator are to see that periodic audits and independent laboratory tests are performed on participating manufacturers' products and to validate the right of that manufacturer to use the IGCC® label on the product or products information claims. Additionally, IGCC® requires licensees to have a working quality assurance program for the fabrication of insulating glass. Adherence is verified during plant visits conducted twice per year. These requirements were adopted to improve the overall quality of IG units in the program, and to satisfy requirements established by the Department of Housing and Urban Development, HUD.

Management and control of the program is vested in a Board of Governors made up equally of industry and public interest members. The public interest representatives are empowered with 50 percent of the voting power to ensure against undue industry influence of IGCC® action.

The program is under the supervision of a qualified administrator who is not affiliated with any manufacturer of insulating glass, material supplier, or participating testing laboratory, and is hired by and responsible to the Insulating Glass Certification Council. The manufacturers of the products listed herein have certified that the labeled materials comply with the performance characteristics established by ASTM E2190. The compliance of the manufacturers with the requirements of that specification is validated periodically by the IGCC® administrator through audits and testing by an independent testing laboratory under the administrators' direction.

Every manufacturer of insulating glass is eligible and encouraged to apply for the right to use the IGCC® label. However, permission to use the label is not granted until an independent laboratory test verifies compliance with the requirements. Once all requirements have been met, each product is assigned an IGCC® number to identify the product, performance class, and the factory in which it is made. Throughout the year, IGCC® requires the manufacturer to certify that the labels are being used only on units that are produced in the same manner and with the same materials as the tested specimens. Based upon these declarations, IGCC® authorizes continued use of the IGCC® label and the product listing published in this directory.

The Insulating Glass Certification Council wishes to recognize the substantial contributions made by the Safety Glazing Certification Council, the Sealed Insulating Glass Manufacturers Association (SIGMA) (now known as IGMA), American Society for Testing and Materials (ASTM), National Institute of Standards & Technology (NIST), FHA, HUD, Public Interest Persons, the Industry, and particularly consumers. Without input from such a broad cross-section, this program would not be possible.

## **IGMA®**

The Insulating Glass Manufacturers Alliance is a North American association of insulating glass manufacturers, suppliers of component materials and other industry related professionals dedicated to upgrading product / service performance by promoting awareness of technological developments in the industry. IGMA® provides the leadership required to assure the continued growth of the Insulating Glass Industry.

IGMA® was formed as the result of the merger of IGMAC (Insulating Glass Manufacturers Association of Canada) and SIGMA (Sealed Insulating Glass Manufacturers Association) in October of 2000 to establish and advance insulating glass technologies and quality processes in order to create a standard of excellence that provides value to the insulating glass industry. As part of its mission, IGMA developed a voluntary certification program for insulating glass units.

The IGMA® Certification Program recognized the need for regular and impartial product testing, maintenance of quality control in the manufacturing process and identification of products that conform to these criteria. Manufacturers of insulating glass units were invited and encouraged to participate in the IGMA® Certification Program.

## **ACCREDITATION**

In 2014 the American National Standards Institute (ANSI) issued ISO/IEC 17065 Accreditation to the IGCC®/IGMA® Certification Program and AMS, Inc., the program Administrator and Certification Body (CB). This Accreditation is a formal recognition of fulfilling the requirements of the ISO/IEC 17065:2012 standard, as well as ANSI's own accreditation requirements.

### **What is Accreditation?**

Accreditation is similar to certification. Just like in certification there is an independent party who assesses and determines whether or not an organization meets specific requirements. In the case of ANSI's assessment of the IGCC®/IGMA® Certification Program and AMS, Inc., they were assessed to ISO standard ISO/IEC 17065:2012. The end result is called accreditation.

### **Who is ANSI?**

The American National Standards Institute is a not-for-profit entity providing assessment and accreditation of bodies performing third-party conformity assessment (certification), among other services. ANSI also brings global recognition to conformity assessment through several international and regional arrangements for multi-lateral recognition, including the International Accreditation Forum (IAF). In addition, ANSI has a memorandum of understanding (MoU) with the Standards Council of Canada (SCC). All of this helps bring global acknowledgement to conformity assessment. Information from: *ansica.org*, Why Seek Accreditation?, 2015. Web. August 19, 2015.

### **What is ISO/IEC 17065:2012?**

ISO/IEC 17065:2012 is an internationally-recognized standard for bodies certifying products, processes and services. It is the main source of criteria used to assess the IGCC®/IGMA® Certification Program and AMS, Inc. The standard specifies requirements that, according to ISO/IEC 17065:2012, "ensure that certification bodies operate certification programs in a competent, consistent and impartial manner...".

### **How will this affect a Fabricator's IGCC®/IGMA® Certification?**

Accreditation of the IGCC®/IGMA® Certification Program and AMS, Inc. is the formal recognition that they have met strict requirements placed on them. This means that as a fabricator, operator or provider of certified products, you can be sure that the IGCC®/IGMA® Certification Program is operated to some of the highest quality standards in the world. Because the IGCC®/IGMA® Certification Program and AMS, Inc. have always followed stringent guidelines there will be minimal changes to the certification program. When changes are necessary though, you will be notified in advance.

Though the IGCC®/IGMA® Certification Program requirements won't change much due to the accreditation, it does offer an opportunity for fabricators to show conformance to an ANSI-Accredited certification program, an invaluable association to set you apart in the market. For more information, and restrictions and limitations, please contact AMS, Inc.

### **Disclaimers**

While there are significant benefits to being associated with this accreditation, accreditation doesn't mean that ANSI approves certified products, processes, or services of fabricators. In addition, the ANSI Accreditation symbol and ANSI logo are not permitted to be displayed on any product or its packaging.

### **Questions or Want to Learn More?**

If you have any questions or need additional information regarding any of the topics presented above, please feel free to contact AMS, Inc. at (315) 646-2234, or email us at [igcc@amscert.com](mailto:igcc@amscert.com)

IGCC® BOARD OF GOVERNORS

**REPRESENTING PUBLIC INTEREST**

Elaine Rodman  
Homeowners Association  
2300 Sample Road  
Allison Park, PA 15101  
Telephone: (412) 487-2887  
E-mail: [elainesrodman@gmail.com](mailto:elainesrodman@gmail.com)

Nicholas Montan  
East Central Ohio Building Authority  
339 Oxford Street  
Dover, OH 44622  
Telephone: (330) 401-8526  
E-mail: [nmontan@ecohba.com](mailto:nmontan@ecohba.com)

Yvon Chiasson  
Morrison Hershfield Limited  
175-1005 Skyview Drive  
Burlington, ON L7P 51 CANADA  
Telephone: (905) 483-1012  
E-mail: [YChiasson@morrisonhershfield.com](mailto:YChiasson@morrisonhershfield.com)

Dennis Johnson  
Raths, Raths & Johnson  
500 Joliet Road, Suite 200  
Willowbrook, IL 60527  
Telephone: (630) 325-6160  
E-mail: [dkjohnson@rrj.com](mailto:dkjohnson@rrj.com)

Bruce Kaskel  
Wiiss, Janney, Elstner Associates, Inc.  
10 South LaSalle Street, Suite 2600  
Chicago, IL 60603  
Telephone: (312) 372-0555  
E-Mail: [bkaskel@wje.com](mailto:bkaskel@wje.com)

**REPRESENTING INDUSTRY**

Michelle Phan  
Cardinal  
7201 West Lake Street  
Saint Louis Park, MN 55426  
Telephone: (623) 327-1940  
E-mail: [mphan@cardinalcorp.com](mailto:mphan@cardinalcorp.com)

Todd Schauder  
ODL, Inc.  
215 E. Roosevelt Avenue  
Zeeland, MI 49464  
Telephone: (540) 664-5499  
E-mail: [todd.schauder@odl.com](mailto:todd.schauder@odl.com)

Joe Erb  
Quanex  
800 Cochran Avenue  
Cambridge, OH 43725  
Telephone: (740) 439-2338  
Email: [joe.erb@quanex.com](mailto:joe.erb@quanex.com)

Jeff Haberer  
Trulite Glass & Aluminum Solutions, LLC  
1112 17<sup>th</sup> Avenue SE  
Minneapolis, MN 55414  
Telephone: (612) 805-2251  
E-mail: [jhaberer@trulite.com](mailto:jhaberer@trulite.com)

Mark Hutchinson  
Intigral  
7850 Northfield Rd  
Walton Hills, OH 44146  
Telephone: (440) 439-0980  
Email: [mark.hutchinson@intigral.com](mailto:mark.hutchinson@intigral.com)

**IGCC® OFFICERS**

Dennis Johnson, President  
Jeff Haberer, Vice President, Treasurer  
Michelle Phan, Secretary

**IGCC® CERTIFICATION COMMITTEE**

Joe Erb, Chairman

Membership and voting privileges on the IGCC® Certification Committee shall be extended to (a) each IGCC® Public Interest Governor (b) each IGCC® Business Community Governor (c) each IGCC® or IGMA® participant supplier (d) Public Interest representatives appointed by IGMA® and IGCC® Boards, and (e) each IGCC®/IGMA® participant Licensee who designates a representative to serve on the Certification Committee (listed below).

<u>Licensee</u>	<u>Primary Member</u>	<u>First Alternate</u>	<u>Second Alternate</u>
A.N. ALODAN & SONS CO. GLASS & ALUMINIUM FACTORY	Dhanraj Singh Parmar	Rakesh Kumar Pal	
AAG-AI Abbar Architectural Glass	Ezhilenth Narayanan	Jean Lelievre	
Advanced Impact Technologies	Ralph Henson	Pete Kropka	
Advantage Glass Corp	Stan Rydzewski	Rony Gramajo	
AGC Flat Glass (Thailand) PLC.	Ms. Poonsup Thammapiti	Mr. Suwit Kanjanajarean	
AGNORA LTD	Rene Govers	Brent Stannard	
Ajiya Safety Glass Sdn Bhd	Tam Woan Ting		
Aldora Aluminum and Glass Products, Inc.	Donnie Anderson	Bill Demato	Manny Valladares
AL-Hadi Glass Industries	Michael Fernandes		
All Counties Glass Distributors	Dane Treiber		
All Weather Tempering of Arizona, LLC.	Alan Vasquez	Robert Wood	
All Weather Windows	Thuy Vu	Tabrez Kassam	Robert Giles
Aluminum Manufacturers Co. Ltd - ALUMATEC	Ehtesham Hussain		
Aluminum Technology Auxiliary Industries	Varun C.R.	Suraj Thampi	
American Insulated Glass LLC.	Billy Blair	Shane Ellerbee	Eddy Green
Andersen Corporation	Nicholas Zeman		
Anhui Weshutter Energy-Saving Win-Door Co., Ltd.	Li Yue	Zhu Ming	
Architectural Glass Products, LLC.	Sharon Gambill		
Associated Materials, Inc.	Christian Cirino	Seth Green	Steve Harp
Beijing Northglass Technologies Co. Ltd	Kun Wang	Sunny Zhong	
Beijing Wuhuatiabao Glass Co., Ltd.	Gao Hongwei		
Berkowitz J. E., LP	James Mooney	Lance Hayes	
Blue Star Glass Inc.	Alex Oanono		
BMC (Building Materials & Construction Services)	Chris Rogers		
Burhani Glass Factory, LLC	Murtaza K	Keshav Tripathi	
BVGLAZING SYSTEMS	Mike Morgan		
Camyapi Cam Paz. Ins. Taah. Tic.ve San. Ltd. Sti	Volkan Erem	Birol Yiliz	
Cardinal IG	Michelle Phan	Robert Grommesh	
Carey Glass UC	Michael Carew	Sam Taylor	
Cascade Windows Inc.	Dylan McGuire		
Central Valley Glass & Screen, Inc.	Geoff Smith	Kevin Fechino	
Chain Glass Enterprises Inc.	Jed Raynor Ang	Juliet Martinez	
Changshu High-Tech Energy-Saving Dorwin Co., Ltd.	Fa Zhenju	Yang Mingguang	
ChangShu Maybo Glass Co., Ltd.	Qian Lan		
Changshu Sysen Glass Products Co., Ltd.	Xia Jian		
Changshu Weier Glass Products Co. Ltd.	Denise Lu		
Changshu ZhongCheng Building Materials Co., Ltd.	Rachel Chen	Mr. Yu Wei	
Chin Ta Glass Co., Ltd.	Chen Yun-Ju		
Ching Chyau Co., Ltd.	Tony Chang		
Chongqing SYP Engineering Glass Co., Ltd.	Sun Dao Hai		
Clear Lite DBA Innovative Glass Products LLC	Tim Valek		
Cmech Ltd.	Justin Char		
Columbia Commercial Bldg Prod.	Jonathan Wade	Yolanda Aguirre	
Comercial Dialum SA	Maria Jesus Encina		
Complete Line Glass Wholesalers, Inc.	Rod Pistokache	Kyle Russell	
Consolidated Glass and Mirror, LLC	Mike Frazier	Doug Osborne	

<u>Licensee</u>	<u>Primary Member</u>	<u>First Alternate</u>	<u>Second Alternate</u>
Cristacurva	Richard Roemke	Fransue Morales	
Cristec Glass S.L.	Silvia Berdala	Juame Planes	
CS ECO Glass (M) Sdn Bhd	Zhang Xiaojun		
Custom Glass Prod. Of Carolina	Steven Reeder		
Custom Glass Products Inc.	Eric Reeder	Jonathon Jones	
Dalian Yihai Safety Glass Science & Technology Co., Ltd.	Chen Xitao		
Dallas Flat Glass Distributors, Inc.	Robert Varela	Melvin Armstrong	
Dlubak Specialty Glass	Chris Cotton		
Dong Yang Glass Co., Ltd.	Chang Gak-Jin	Donghyeok Woo	
DongGuan CSG Architectural Glass Co., Ltd.	Su Jingxi		
Dongguan Longhui Architectual Glass Co., Ltd.	Dizun Zhuang	Huiru Zhuang	
Donguan Ngai Wah Bending Tempering Glass Company Limited	Yang Shengyong		
Dynamic Windows & Doors Inc.	Grant Wood		
Eckelt Glas GmbH	Guillaum Kaminski		
ECO Glass Production	Samuel Bravo		
EFCO Corporation	Mason Fritz	Jeff Campbell	
Emirates Glass L.L.C.	Sandeep Nair		
Engineered Glass Products, L.L.C.	David Colombe	Dennis Carroll	
Erdem Dis Ticaret A.S.	Mehmet Ali Ozgul		
Fairis C.A.	Jorge Jaramillo		
FAKRO GP Sp. Z.0.0.	Pawel Szweczyk		
Fenplast, Inc.	Benoit Pepin	Manon Lemieux	
Flat Glass Distributors, Inc.	Doug Lewis		
Flat Glass Group Co., Ltd.	David Wei	Li Chunpeng	
Future Architectural Glass LLC	Muhammed Moshin		
General Glass	Kristy Hackworth		
Gentek Building Products Ltd. Partnership	Christian Cirino	Seth Green	
GLASPRO	Vance Mason		
Glass and Mirror Craft	Steve Gizicki	Patrick McEvoy	
Glass Enterprises Inc.	Mr. Josh Burg		
Glass Insulators Inc.	Stacy Marik		
Glassbel Baltic JSC	Romas Zvirzdinas		
GlassecViracon	Renato Santana	Daniel Scarpatto	
GlassFab Tempering Services, Inc.	Robert Gardner Black		
Glasstech Industries B.S.C.	Marwan Khadij	Hem Raj Arya	
Glasswerks LA, Inc.	Robert Mastrapa		
Glaz-Tech Industries, Inc.	Alex Miramomtez		
Glenny Glass Co.	Braxton Smith		
Global Security Glazing	Scott Reynolds	Mark Johnson	
GnT Glass Co., Ltd.	Hao Bing Tian		
Great Day Improvements, LLC	Kent Nusser	Craig Cox	
Grupo Vidrios el Castillo	Carlos Benet Trad	Gabriel Howerton	
G-TECH Optoelectronics Corporation	Lin Shu Huang	Gu Hongyu	
Guang Dong Kibing Energy Saving Glass Co., LTD	Liao Shanshun		
Guangdong Avic Special Glass Technology Co., LTD	Liu Fan	Sven Pan	
Guangdong Jiming Glass Group Co., Ltd			
Guangdong South Star Glass Limited	Taylor Lee		
Guardian Glass, LLC - Auburn	John Lines		
Gulf Glass Industries, Co. LTD	Pacoal Dsilva		
Hankuk Glass Industries, Inc.	Kwangil Kim		
Hartung Glass Industries	Tim Kroha		
Harvey Building Products	Dave Lambert	Peter Gent	
Huizhou Wei Jin Yuan Glass Technology Co., Ltd.	Marco Wong		
Insulite Glass Co., Inc.	Larry Vasholz		
Interpane Glasgesellschaft, mbH - Plattling	Luis Hidalgo		



August 2020

<u>Licensee</u>	<u>Primary Member</u>	<u>First Alternate</u>	<u>Second Alternate</u>
Intigral	Mark Hutchinson		
Isam M. Khairi Kabbani Glass Works LLC	Donald Cardenas	Roy Bassil	Mustafa Bokhari
Isoterglass SRL	Sirio Pierobon	Maurizio Zanotto	
Jasan Glass - JSG	Kyungsoo Lee		
Jersey Tempered Glass, Inc	Mike Bouldin	John Latko	
Jiangmen Yamako Glass Co., Ltd.	Carol Chan		
Jingmei Curtain Wall Technology Co., Ltd.	Mr. Feng Fanran		
Jinzhou Fortune Spring Glass Co., Ltd.	Grace Liu		
Jiuh Sheng Glass Co., Ltd.	Arthur Hung		
La Tecnica Nel Vetro SpA	Michele Inserra	Pascual Pellegrina	
Laurier Architectural, Inc.	Melanie Mercier	David Levesque	
LTI Smart Glass, Inc.	Jeff Besse		
M Industria S.A. DE C.V.	Mauricio Millet Median	Ricardo Tonueyo	Mex Yucatan
Manna Glass Company	Eng. Ahmed Nada		
Mannix Exterior Wall Systems, Inc.	Paul Greenstein		
Mid-American Glass, Inc.	Michelle Magyar		
MLC Windows & Glass	Michele LoChirco		
Nashville Tempered Glass Corp.	Phillip Contella	Jon Johnson	
Ningbo Jianghua Glass Technology Co., Ltd.	Xianming Wang	Wuxia Zhang	
Northwestern Glass Fab	Eric Fortin	Chris Streefer	
Northwestern Industries, Inc.- Seattle, WA	Tammy Nguyen	Henry Heiss	Debbie Zimmer
Novatech Patio Doors Inc.	Erick Giroux		
ODL, Changshu ZhongXin Building Materials Co., Ltd.	Todd Schauder		
ODL, Inc.	Todd Schauder		
OKALUX Glastechnik GmbH	Dominik Betz		
Oldcastle BuildingEnvelope®	Richard Wright	Robert Williams	
Opulux Glass	Donavan Soproni		
Panjin Truspacer Insulating Glass Material Co., Ltd.	Rao Desong		
Pella Corporation	Aaron Ryan	Tyler Owens	
Perficom S.A. DE C.V.	Miguel Angel Robles Lopez		
PFG Glass Industries	Ryan Nielsen		
Pietta Glass Working Srl	Sorin Niteseu		
Pilkington IGP Sp. z.o.o. Branch Skierniewice, Poland	Krzysztof Skarbinski		
Precision Glass Industries	Kevin Waller	Lance Hamilton	
Prelco Inc.	Stephane Mercier	Christian Lizotte	
Prelco MTL Inc.	Nancy Stuart	Stephane Bisson	
PRESS GLASS SA	Milosz Majewski		
Press Glass, Inc.	Michael Lankford	Conrad Lankford	
Price Mechanical Limited	Randy Aguilar		
PRL Glass Systems	David Landeros		
ProTemp Glass, Inc.	Dan Muccelli		
Pulp Studio, Inc.	Sue Delgado	Oscar Ramirez	
Qatar Glass Industries	Fouad Al Masri		
Qinhuangdao High Tech Energy Saving Dorwin Co., Ltd.	Sherry Shi	Su Chang	
Qinhuangdao Rongsheng Glass Processing Co., Ltd.	Dongsheng Yan		
Qinhuangdao Shucheng Energy Saving Technology Co., Ltd	Zheng Lin		
Qinhuangdao Xinhua Glass Processing Ind. Co. Ltd.	Cao Minghua		
Qinhuangdao Zhenhong Door and Window Co., Ltd.	Yang Qi		
Quest Window Systems	Jody Cash	Daniel Zalcmán	
Reem Emirates Aluminum & Glass	Hamed Husein		
Reflex d.o.o.	Rudi Hajdinkak	Bostjan Kous	
Regalead Ltd.	Guy Hubble	Wanda Swinton	
SAAND Inc.	Paul Ferguson		
SAGE Electrochromics Inc.	Nicole Byre		

<u>Licensee</u>	<u>Primary Member</u>	<u>First Alternate</u>	<u>Second Alternate</u>
Saint-Gobain India Private Limited	Uprenda K.		
Saudi American Glass Company	Liberto Gubat		
Senneca Holdings Inc, (Thermoseal Brand)	Chris Cerchairo		
Shandong Jinjing Science & Technology Stock Co., Ltd. Boshan Branch.	Doris Ni	Zhai Yanbo	
Shandong Wensheng Glass Technology Co., Ltd.	Tony En	Anne Dou	
Shandong Yaohua Glass Co., Ltd.	James Hu		
Shanghai Haojing Glass Co., Ltd.	Wong Xiang Yang		
Shanghai Lead Glass Co., Ltd.	Xu Wei		
Shanghai Yaohua Pilkington Glass Group Co., Ltd.	Dr. Sun Da Hai	Zhou Cai Fu	
Shenbo Special Architectural Glass Industrial Co., LTD	Elena Tang		
Shenng Mwuh Enterprise Co., Ltd	Cai Zhihong		
Shenzhen Jiayeda Glass Processing Co., Ltd	Watson Wong		
ShenZhen LiaoYuan Glass Co., Ltd.	Xuanmin Fu		
Shine Glass Co., Ltd.	Xu Jiali		
Shinn Fu Pair Glass Co.	Huang Hsin Fu		
Sichuan CSG Energy Conservation Glass Co., Ltd.	Liu Song		
Sierra Pacific Windows	Rick Audsley	Neil Raleigh	
SIGCO, Inc.	David McElhinny	Troy Johnson	
Skyland Insulated Glass Corp.	Ricky Zeng		
Solar Seal Company-MA	Alex Bradaran	Jim Miller	
Southern Wholesale Glass	Mark Michael		
Standard Building Products, Inc.	Candy Qin		
Stanley Glass Co., Ltd.	Tony Hsu		
Stargrup Cam A.S.	Emrah Arslankara		
Strong Tempering Glass Industry LLC	Mark Chen		
Sunglas Technics Co., Ltd.	Jianxin Zhao		
Sunview Patio Doors Ltd.	Claudio Sacilotto		
Suzhou Taifeng Glass Decoration Co. Ltd	Lily Ye		
Syracuse Glass Company, LLC	John Dwyer		
Tai Shan City Da Heng Art Glass Ltd.	Liu Wogui		
Taicang Yaohua Glass Co., LTD	Allen Wei	Ningke Zhang	
Taiwan Glass USA Sales Corp.	Albert Wang		
Technical Glass & Aluminum Co. L.L.C.	Giri Sanker	Ali Hajj Hassan	
Tecnoglass S.A.S.	Christian Daes		
Tecnovidrio S.A. de C.V.	Sara Ivonne Penalozza		
Temp Glass Inc.	Sigfridio Martinez	Marcela Bolivar	
Tempco Glass and Fabrication, LLC	Allan Tan	Tiffany Wan	
Templados Del Centro SA DE C.V.	Victoria Nunez		
Thai-German Specialty Glass Co., Ltd.	Zane Mercurio		
Thermafix A.J. Inc.	Frederic Fillion	Francious Ouelette	
Thermo BSL	Pierre-Luc Bellavance	Claude Pelletier	Guy Poirier
Thompson I.G. , LLC.	Dale Houck	Brian Satkowiak	
Tianjin CSG Energy Conservation Glass Co., LTD	Liu Liyao		
Tianjin Northglass Industrial Technical Co., Ltd.	Hu Zhangyan		
Tower Insulating Glass LLC.	Barry Litt		
TRACO (Three Rivers Alum)-PA	Frank Hayson		
Tristar Glass, Inc.	Doug Vail		
Trulite Glass and Aluminum Solutions	Jeff Haberer	Adrian Casas	
TSY-Fong Glass, Co., Ltd.	Hanss Huang		
TVITEC System Glass, S.L.	David Lopez	Alexandra Gonzalez	
Unicel Architectural Corp.	Frederic Tremblay	Vincent Couturier	
Uniglass	Fahad Al Fozan	Shakil Ahmed Khan	
Union Glass s.r.l.	Franco Savian	Tommaso Savian	
United Plate Glass Co., Inc.	Darin Vietmeier		

August 2020

<u>Licensee</u>	<u>Primary Member</u>	<u>First Alternate</u>	<u>Second Alternate</u>
Unitex Glass Chengdu Co., Ltd	Andy Yu	Chen Xinhua	
Velocity an Apogee Company	Jason Fransen		
VELUX America LLC	Kelli Fleming		
Vetrodomus SpA	Federico Casaccio	Chiara Pastore	
View Inc.	Steve Strawinski		
Vinyl Window Designs Ltd.	Kaz Feret	Barb Restrepo	
Viracon Inc.	Don Boutelle	Brian Louks	
Vitro Flat Glass, LLC (formerly PPG)	Steve Meiser		
Vitro SAB	Edgar Valverde Chong		
Vitrogenera, SA De Cv	Mirna Del Angel	Francisco Torres	
VITROTERM-MUROW S.A.	Krzysztof Kolodziejcyk		
Vitrum Industries Ltd.	Jagdeep Singh		
W. A. Wilson Inc.	Rick Meredith	Robert Hartong	
W.C.P., Inc dba West Coast Insulated Glass Products	Rusty Neubauer		
Westeck Windows Mfg. Inc.	Terry Adamson		
White Aluminium Enterprises L.L.C	Jabr Doshan		
Wholesale Glass Distributors, Inc.	Robert Contreras		
WHTB Glass, LLC	Zhu Zhu		
Windsor Windows and Doors	Casey Coppock		
Wujiang CSG Huadong Architectural Glass Co., LTD	Yu Jinhui	Wang Yong	
Xiamen Togen Building Products Co., Ltd.	Lemon Ren		
Xianning CSG Energy Conservation Glass Co., LTD.	Yu Jiao		
Xinyi Energy-Smart Glass (Wuhu) Co., Ltd.	Peiliang Wu	Cherry Li	
Xinyi Glass (Yingkou) Co., Ltd.	Zeming Wang		
Xinyi Group (Glass) Co. Ltd.	Cherry Li	Chen ZhangLin	
Yantai Dongfang Glass Co., Ltd	Mr. Xing Jinwei		
YinJian DongGuan Glass Engineering Co., Ltd.	Sui Dong Ping		
YKK AP America	Scott Blake		
Zhejiang Kibing Energy Saving Glass Co., Ltd.	Song Huiping		
Zhejiang Zhongli Energy Efficient Glass Mfg. Co., Ltd	Meng Qingxian		
Zhong Shan Grandglass Industrial Co. Ltd	Diewen Sun		

August 2020

## COMMUNICATIONS

In all matters concerning the administration and implementation of the IGCC® Certification Program, correspondence may be directed to any of the following:

IGCC ® Board of Governors  
Dennis Johnson, President  
Raths, Raths & Johnson  
500 Joliet Road, Suite 200  
Willowbrook, IL 60527  
Telephone: (312) 325-0915  
Email: [dkjohnson@rrj.com](mailto:dkjohnson@rrj.com)

IGCC ® Certification Committee  
Joe Erb, Chairman  
Quanex, Inc.  
800 Cochran Avenue  
Cambridge, OH 43725  
Telephone: (740) 439-2338  
Fax: (740) 439-0120  
Email: [joe.erb@quanex.com](mailto:joe.erb@quanex.com)

Insulating Glass Certification Council  
John G. Kent, Administrative Manager  
PO Box 730, 205 West Main Street  
Sackets Harbor, NY 13685  
Telephone: (315) 646-2234  
Fax: (315) 646-2297  
Email: [igcc@amscert.com](mailto:igcc@amscert.com)

Legal Counsel  
Leland J. Badger  
Howe & Hutton, Ltd.  
1717 Pennsylvania Ave. NW, Suite 1025  
Washington, DC 20006  
Telephone: (202) 466-7252 (ext. 101)  
Fax: (202) 466-5829  
Email: [ljb@howehutton.com](mailto:ljb@howehutton.com)

## IGCC® PARTICIPANTS (Suppliers)

Allmetal  
3361 Fulton Avenue  
Muskegon, MI 49441  
Telephone: (231) 755-5256  
Fax: (231) 755-4642  
Jon DeVoogd  
Email: [jdevoogd@allmetal-inc.com](mailto:jdevoogd@allmetal-inc.com)

Bostik, Inc.  
11320 Watertown Plank Road  
Wauwatosa, WI 53226  
Telephone: (414)774-2250  
Jeff Ogren  
Email: [jeff.ogren@bostik-us.com](mailto:jeff.ogren@bostik-us.com)

Chem Source  
2751 East Chapman Avenue  
Fullerton, CA 92831  
Telephone: (714) 871-5520  
Diana Dai  
Email: [Chems@msn.com](mailto:Chems@msn.com)

The Dow Chemical Company  
2200 W. Salzburg Rd.  
Midland, MI 48686  
Telephone: (989) 496-5976  
Fax: (989) 496-5956  
Steve Altum  
Email: [s.altum@dow.com](mailto:s.altum@dow.com)

FDR Design Inc.  
303 12<sup>th</sup> Avenue South  
Buffalo, MN 55313  
Telephone: (763) 682-6096  
Randi Ernst  
Email: [rle@fdrdesign.com](mailto:rle@fdrdesign.com)

Fenzi North America Inc.  
11 Dansk Court  
Toronto, ON M9W 5N6 CANADA  
Telephone: (416) 674-3831  
James Rodo  
Email: [j.rodo@fenzi-na.com](mailto:j.rodo@fenzi-na.com)

HB Fuller/Kommerling  
1200 Willow Lake Boulevard  
St. Paul, MN 55110  
Telephone: (651) 236-5401  
Brian White  
Email: [brian.white@hbfuller.com](mailto:brian.white@hbfuller.com)

Helima-Helvetion International  
795 Duncan Reidville Road  
Duncan, SC 29334  
Telephone: (864) 439-6600  
Fax: (964) 439-6065  
Anthony McCall  
Email: [tmccall@helimasc.com](mailto:tmccall@helimasc.com)

August 2020

**IGCC® PARTICIPANTS (Suppliers)**  
(continued)

Leading Edge  
1333 East Highland Road, Suite C  
Macedonia, OH 44056  
Telephone: (440) 786-2444  
Fax: (440) 735-7013  
Dave Thoman  
Email: [dave@leadingedge95.com](mailto:dave@leadingedge95.com)

Quanex, Inc.  
800 Cochran Avenue  
Cambridge, OH 43725  
Telephone: (740) 439-2338  
Fax: (740) 439-0121  
Joe Erb  
Email: [joe.erb@quanex.com](mailto:joe.erb@quanex.com)

Ramapo Sales & Marketing, Inc.  
2440 Clements Ferry Road, Suite C  
Charleston, SC 29492  
Telephone: 843-747-2577  
Jason Douglas  
Email: [jason@ramaposales.com](mailto:jason@ramaposales.com)

Technoform Glass Insulation, NA  
1755 Enterprise Parkway, #300  
Twinsburg, OH 44087  
Telephone: (330) 487-6663  
Fax: (330) 487-6691  
Milind Jhaveri  
Email: [mjhaveri@technoform.us](mailto:mjhaveri@technoform.us)

Vetrotech Saint Gobain  
Sonnenwiesenstrasse 15  
Kreuzlingen, 8280  
Switzerland  
41-71-686-9286  
Peter Appel  
Email: [Peter.Appeal@saintgobain.com](mailto:Peter.Appeal@saintgobain.com)

PDS IG  
1850 Prairie Street  
Prairie du Sac, WI 53578  
Telephone: (303) 349-0800  
Michael Rapp  
Email: [Mike.Rapp@pdsigholding.com](mailto:Mike.Rapp@pdsigholding.com)

RPM Rollformed Metal Products  
101 Spinnaker Way  
Concord, ON L4K 2T2 Canada  
Telephone: (416) 665-7622  
Fax: (905) 660-1605  
Holly Money

Sika Corporation  
30800 Stephenson Highway  
Madison Heights, MI 48071  
Telephone: (440) 261-2078  
Jim Blamble  
Email: [blamble.james@us.sika.com](mailto:blamble.james@us.sika.com)

Tremco  
3735 Green Road  
Beachwood, OH 44122  
Telephone: (800) 321-7906  
Fax: (216) 292-503  
Kevin Zuege  
Email: [KZuege@tremcoinc.com](mailto:KZuege@tremcoinc.com)

**IGCC® PARTICIPANTS (Non-Suppliers)**

Dr. Joseph E. Minor  
Consulting Engineer  
PO Box 603  
Rockport, TX 78381

Dan Johnson  
ATI, Inc./ Intertek  
40 51<sup>st</sup> Way  
Fridley, MN 55421

Robert Schwartz  
Skidmore, Owings & Merrill  
103 Hooverton Place  
East Windsor, NJ 08520

**IN RECOGNITION OF PAST PRESIDENTS WHO SERVED IGCC® SINCE ITS INCEPTION**

Roger D. O'Shaughnessy	Cardinal IG	1977-1979
Donald J. Vild	LOF Glass	1979-1981
Colin S. Brady	Twin Pane	1981-1982
Robert G. Spindler	PPG	1982-1983
Jerry Catalano	Hordis Brothers	1983-1985
Dr. Joseph Minor	University of Missouri	1985-1989
Mitchell D. Edwards	SPI Glass Corp.	1989-1992
John Colapietro	Tempglass, Inc.	1992-1993
Robert G. Spindler	Cardinal IG	1993-1996
James Krahn	Marvin Windows	1996-1999
Mark Cody	AFG Industries	1999-2002
Lyle N. Krohnberg	Viracon, Inc.	2002-2004
Mike Grossman	Vitro America, Inc.	2004-2007
Ray Wakefield	Trulite Industries	2007-2011
James Krahn	Marvin Windows	2011-2012
Don Boutelle	Viracon, Inc	2012-2015
Bruce Kaskel	Wiis, Janney, Elstner Associated, Inc	2015-2019

**MEETINGS OF THE  
CERTIFICATION COMMITTEE**

The Certification Committee of the Insulating Glass Certification Council meets annually (Rev. 1/29/2018). Interested persons may obtain minutes of earlier meetings by visiting the web-page at [www.igcc.org](http://www.igcc.org) or by contacting the Insulating Glass Certification Council.

By-laws and a copy of the annual tax return is available by contacting the Insulating Glass Certification Council which is a 501 (C)(3) Not-for-Profit corporation.

Certification in this directory is up to date as of the date of issue; however, products may be authorized to use the permanent label or authorization removed from time to time. Please contact the IGCC® office for the latest up-to-date information.

Direct all requests and/or any comments to:

**~ ADMINISTRATION ~**

Administrative Management Systems, Inc. (AMS)  
PO Box 730  
205 West Main Street  
Sackets Harbor, New York 13685  
Telephone: 315-646-2234  
Fax: 315-646-2297  
E-mail: [igcc@amscert.com](mailto:igcc@amscert.com)  
Website: [www.igcc.org](http://www.igcc.org)

**~ADMINISTRATIVE STAFF~**

John G. Kent, Administrative Manager  
Katrina Stafford, Program Manager  
Erin Contryman, Program Coordinator  
Alicia Deveau, Program Coordinator  
Andrew Mosley, Program Coordinator

**CERTIFIED PRODUCT KEY**

Revision Date 10/25/2019

**Sealants:**

HM	=	Hot Melt Butyl
MPS	=	Modified Polysulfide
RHM	=	Reactive Hot Melt
PIB	=	Polyisobutylene
PS2	=	Two-Component Polysulfide
PU2	=	Two-Component Polyurethane
S1	=	One-Component Silicone
S2	=	Two-Component Silicone

**Construction Components/****Connectors/Fabrication Techniques:**

K	=	Corner Key
LC	=	Linear Connection
BC#	=	Bent Corners (1, 2, 3, or 4)
MC#	=	Mechanical Corners (1, 2, 3 or 4)
AP	=	Aperture Plug
CT	=	Capillary Tubes
PT	=	Point Support Aperture
SP	=	Seal Penetration
AF	=	Aluminum Foil
B	=	Butyl
P	=	Plastic
MT	=	Mylar Tape

**Internal Components (IC): Ref. G.8**

BA	=	Bars, grills, muntins
BL	=	Blinds
GI	=	Glass, or other glazing materials
OI	=	Other

**Construction Materials:**

AA	=	Anodized Aluminum
MA	=	Mill Finish Aluminum
GS	=	Galvanized Steel
SS	=	Stainless Steel
CS	=	Chrome Coated Steel
ZS	=	Nickel/Zinc Plated Steel
US	=	U-Channel (Stainless Steel)
UT	=	U-Channel (Tin Plate Steel)

**Desiccants:**

LF	=	Loose Fill Desiccant
IB	=	Imbedded Desiccant System
DM	=	Desiccated Matrix

**Integrated Spacer Systems – Generic:**

BCS	=	Butyl Composite Spacer
BFS	=	Butyl Flexible Spacer
BPS	=	Butyl Polycarbonate Spacer
BSS	=	Butyl Sealant Spacer
DPHS	=	Desiccated Plastic Hybrid Stainless Steel
FSA	=	Foam Spacer Aluminum
FSCS	=	Foam Spacer Chrome Steel
FSF	=	Foam Spacer Metalized Foil
FSNF	=	Foam Spacer Non-Metal Foil
PHA	=	Plastic Hybrid Aluminum
PHCS	=	Plastic Hybrid Chrome Steel
PHF	=	Plastic Hybrid Foil
PHNF	=	Plastic Hybrid Non-Metal Foil
PHSS	=	Plastic Hybrid Stainless Steel
RTP	=	Reactive Thermoplastic Spacer
TP	=	Thermoplastic Spacer

**Substrates:**

U	=	Uncoated
C3	=	Sputter Coated, Non-Edge Deleted (Soft)
C2	=	Sputter Coated, Edge Deleted (Soft)
C1	=	Pyrolytic Coated (Hard)
SCF	=	Suspended Coated Film

**Gases:**

AR	=	Argon
KR	=	Krypton
CO	=	Carbon Dioxide (CO <sub>2</sub> )
BG	=	Blend (Specifically % and Composition)

**Gas Content: Ref. Guideline 11.0**

Yes	=	GCIA measured valued for initial content, 90% or greater; after weather 80% or greater. Testing for Argon value only at this time. (See guideline A.GC.1)
-----	---	---

**Other:**

VG	=	Vacuum Insulating Glass Unit
IN	=	Inactive certification (See guideline G.38)

Note: The materials of construction as listed above are presented as general information only. The designations for the various component parts are generic and do not reflect specific product modifications or technical differences within a component. For more detailed information on components, contact your insulating glass supplier.

UNDER EACH COMPANY'S NAME IS THEIR IGCC®/IGMA® PERMANENT LABEL

IGCC®/IGMA® CERTIFIED PRODUCTS

<u>LICENSEE</u>	<u>CERTIFICATION NUMBER</u>	<u>FRAME CONSTRUCTION</u>	<u>SUBSTRATE</u>	<u>SPACER</u>	<u>DESICCANT</u>	<u>SEALANT</u>	<u>INTERNAL COMPONENTS</u>	<u>GCIA</u>
A.N. ALODAN & SONS CO. GLASS & ALUMINIUM FACTORY P.O. Box 797 Riyadh 1st Industrial Area Riyadh 11421 Saudi Arabia +966 11 448 3444 Komate IGCC®/IGMA® 2020	4929	BC4/ALLC	U/C3/U	MA/MA	LF/LF	PIB/S2		Yes
Advanced Impact Technologies 2310 Starkey Road Largo, FL 33771 727-287-4620	5079	BC4/GSLC	U/C2	AA	LF	PIB/S2		
Advantage Glass Corp 601 West Carboy Road Mount Prospect, IL 60056 847-290-1707 Advantage Glass Corp IGCC(R)/IGMA(R) 2020	4457	BC4/PLC	U/C2	ZS	LF	PIB/S2		Yes
AGC Flat Glass (Thailand) PLC. 200 Moo 1, Suksawad Road Pak Khlong Bang Pla Kod Phra Samut Chedi, Samut Prakan 10290 Thailand 66-2815-5000x1982	4432	MC4/ALK	U/C3/U	MA/MA	LF/LF	PIB/S2		Yes
AGC, Poma Glass Co. N.A. 365 McClurg Road-Suite E Boardman, OH 44512 330-965-1000 AGC 61 IGCC(R)/IGMA(R) 20	3705 4173 4268 4277 4584 4655 4991 4992	BC3/MC1/MT BC3/MC1/IC BC3/MC1/ZS/ BC3/MC1/ZS BC3/MC1/ BC3/MC1/ BC3/MC1/ BC3/MC1/	U/C3/U U/C3 U/C3/U U/C3/U U/C3 U/C3/U U/C3/U U/C3/U	FSF/FSF BCS US/US UT/UT BPS BCS/BCS UT/UT US/US	IB/IB IB DM/DM DM/DM IB IB/IB DM/DM DM/DM	HM BCS RHM RHM BPS BCS HM HM	BA BA BA BA BA BA BA BA	Yes Yes Yes Yes Yes Yes Yes Yes
AGC-Poma Glass Co. N.A. 480 California Road Quakertown, PA 18951 215-538-9424 AGC 63 IGCC(R)/IGMA(R) 20	3982 4093 4094 4648 4673 4674 4874 5198 5199	BC3/MC1/ZS/ BC3/MC1/ZS/ BC4/ZS/ BC3/MC1/ZS/ BC3/MC1/MT BC3/MC1/ BC3/MC1 BC3/MC1/ BC3/MC1/	U/C3/U U/C3/U U/C3/U U/C3/U U/C3/U U/C3 U/C3/U U/C3/U U/C3/U	US/US UT/UT UT/UT US/US FSF/FSF BPS BPS/BPS BPS/BPS BCS/BCS	DM/DM DM/DM DM/DM DM/DM IB/IB IB IB/IB IB IB/IB	HM HM HM HM HM BPS BPS BPS BCS	BA BA BA BA BA BA BA BA BA	Yes Yes Yes Yes Yes Yes Yes Yes Yes
AGNORA LTD 200 Mountain Road Collingwood, ON L9Y4V5 Canada 7054446654	3329 4766	BC4/GSLC BC4/SSLC	U/C1/U U/C1	SS/SS PHSS	LF/LF LF	PIB/S2 PIB/S2		Yes Yes



<u>LICENSEE</u>	<u>CERTIFICATION NUMBER</u>	<u>FRAME CONSTRUCTION</u>	<u>SUBSTRATE</u>	<u>SPACER</u>	<u>DESICCANT</u>	<u>SEALANT</u>	<u>INTERNAL COMPONENTS</u>	<u>GCIA</u>
Ajiya Safety Glass Sdn Bhd Lot 575, 1 KM Lebuhraya Segamat-Kuantan Segamat, Johor 85000 Malaysia 607-9313133	2871	MC4/PK	U/C2	MA	LF	PIB/S2		
Al Abbar Architectural Glass Sanaa St., PO Box 1626 Ras Alkhor, Industrial Estate Dubai United Arab Emirates 104-333-1362	2977	BC4/ALLC	U/C2	MA	LF	PIB/S2		
Aldora Aluminum and Glass Products Inc. 7421 E. Spartan Blvd. Charleston, SC 29418-8462 843-552-6377 ALDORA(SC) IGCC(R)/IGMA(R) 1 QT 20	2853	BC3/MC1/MT	U/C2	FSF	IB	HM	BA	
AL-Hadi Glass Industries P.O. Box-5817 Safat, Kuwait 13059 Kuwait	4744 4745	BC4/SSLC BC4/SSLC	U/C3 U/C3	MA MA	LF LF	HM/S2 HM/S2		Yes
All Counties Glass 2020 A East Miner Avenue Stockton, CA 95205 209-888-8720	5108	MC4/PK	U/C2	AA	LF	RHM/RHM	BA	
All Weather Tempering of Arizona, LLC. 2150 E. Raymond St. Phoenix, AZ 85040 602-323-9400	5103	MC4/PK	U/C2/U	MA/MA	LF/LF	PIB/S2	BA	
All Weather Windows 18550, 118A Avenue North West Edmonton, AB T5S 2K7 Canada 780-451-0670 AWW-1 IGCC®/IGMA® E2190 2020	2539 3938	BC3/MC1/MT BC3/MC1/SS	U/C2/U U/C2/U	FSF/FSF US/US	IB/IB DM/DM	RHM RHM	BA BA	Yes Yes
All Weather Windows Glass Ltd. 14415 - 128 Avenue Edmonton, AB T5L 3H3 Canada 780-482-8732	4815 4846 5094	BC3/MC1/MT BC3/MC1/MT BC3/MC1/MT	U/C2/U U/C2 U/C2/U	FSF/FSF FSF FSF/FSF	IB/IB IB IB/IB	PIB/S2 PS2 PS2	BA BA BA	Yes Yes Yes
Aluminum Manufacturers Co. Ltd - ALUMATEC Al Komra Dist, Ware houses City Phas 1 PO Box 17916 Jeddah 2194- K.S.A Jeddah 21494 Saudi Arabia +966 12 635-1766	4895 4896	BC4/ALLC BC4/ALLC	U/C2 U/C1	MA MA	LF LF	PIB/PU2 PIB/PU2		

<u>LICENSEE</u>	<u>CERTIFICATION NUMBER</u>	<u>FRAME CONSTRUCTION</u>	<u>SUBSTRATE</u>	<u>SPACER</u>	<u>DESICCANT</u>	<u>SEALANT</u>	<u>INTERNAL COMPONENTS</u>	<u>GCIA</u>
Aluminum Technology Auxiliary Industries PO Box 40625 St #31 Salwa Industrial Area Doha 40625 Qatar 97444602334	3267	BC4/GSLC	U/U	MA	LF	PIB/S2		
American Insulated Glass 102 East Fields Street PO Box 475 Dallas, NC 28034 704-917-0880 AIG IGCC(R)/IGMA(R) 2020	3158 3518	MC4/PK MC4/PK	U/C2 U/C2	AA AA	LF LF	PIB/HM PIB/S2	BA BA	Yes Yes
American Insulated Glass Inc. 2700 19th St. North Birmingham, AL 35207 336-341-1565	5083 5084	MC4/PK BC3/MC1	U/C2 U/C2	AA FSF	LF IB	PIB/S2 HM	BA BA	
American Insulated Glass LLC. 12707 Eckles Road Plymouth Township, MI 48170 734-656-3900 GLGD IGCC(R)/IGMA(R) 2020	3572 4420	MC4/PK MC4/PK	U/C1 U/C1	AA AA	LF LF	PIB/PS2 PIB/S1	BA BA	
American Insulated Glass, LLC 3965 East Conley Road PO Box 750 Conley, GA 30288 404-361-9154	4967 5070	MC4/PK BC3/MC1	U/C2 U/C2	AA FS	LF IB	PIB/S2 RHM	BA BA	
Andersen Corporation 71 Second St Strathroy, ON N7G 3H8 Canada 651-264-5150 Andersen IGCC(R)/IGMA(R) Date	2373 5039	BC3/MC1/MT BC3/MC1/MT	U/C2/U U/C2	FSF/FSF FSF	IB/IB IB	RHM RHM	BA BA	Yes Yes
Anhui Weshutter Energy-Saving Win-Door Co., Ltd. Zhuang Mu Town, Chang Feng County Hefei, Anhui 230000 China 86-13817695957	4613	MC4/PK	U/U	AA	LF	PIB/PS2	BL	
Architectural Glass Products, LLC. 6200 Maple Avenue St. Louis, MO 63130 314-725-8088 Architectural Glass Products LLC IGCC@/IGMA@ 20	2664 2666	BC4/PLC BC4/PLC	U/C2 U/C2	AA PHSS	LF LF	PIB/PU2 PIB/PU2		
Associated Materials, Inc. - Central 3773 State Road Cuyahoga Falls, OH 44223 330-922-2069 AWCC IGCC@/IGMA@ + date	3017 3018 3332 3503 3951 4433	BC4/ZS BC3/MC1/MT BC4/ZS BC4/ZS BC4/ZS BC3/MC1/MT	U/C3/U U/C3/U U/C3/U U/C3/U U/C3/U U/C3/U	UT/UT FSF/FSF US/US US/US UT/UT FSF/FSF	DM/DM IB/IB DM/DM DM/DM DM/DM IB/IB	HM HM HM HM HM HM	BA BA BA BA BA BA	Yes Yes Yes Yes Yes Yes

<u>LICENSEE</u>	<u>CERTIFICATION NUMBER</u>	<u>FRAME CONSTRUCTION</u>	<u>SUBSTRATE</u>	<u>SPACER</u>	<u>DESICCANT</u>	<u>SEALANT</u>	<u>INTERNAL COMPONENTS</u>	<u>GCIA</u>
Associated Materials, Inc. - Midwest 3820 44th Ave. SW Cedar Rapids, IA 52401 330-922-2069 AWCMW IGCC®/IGMA® + date + Line #	3171 3481 3717 4407 4408	BC3/MC1/MT BC4/ZS BC4/ZS BC4/ZS BC4/ZS	U/C3/U U/C3/U U/C3/U U/C3/U U/C3/U	FS/FS UT/UT US/US US/US UT/UT	IB/IB DM/DM DM/DM DM/DM DM/DM	HM HM HM HM HM	BA BA BA BA BA	Yes Yes Yes Yes Yes
Associated Materials, Inc. - Northwest 2801 78th Avenue East Fife, WA 98424 (425) 481-7101 AWCNW IGCC(R)/IGMA(R) + date	2587 3034 4091 4252 5413 5414	BC3/MC1/MT/CT BC3/MC1/MT/CT BC4/ZS BC4/ZS BC4 BC4	U/C3/U U/C3/U U/C3/U U/C3/U U/C3/U U/C3/U	FS/FS FS/FS US/US UT/UT UT/UT US/US	IB/IB IB/IB DM/DM DM/DM DM/DM DM/DM	HM HM RHM/HM RHM/HM RHM/HM RHM/HM	BA BA BA BA BA BA	Yes Yes Yes Yes Yes Yes
Associated Materials, Inc. - Southeast 3800 Farmgate Road Kinston, NC 28501 252-527-5050 AWCSE IGCC(R)/IGMA(R) + date	3103 3199 3702 3904 3905	BC3/MC1/MT BC4/ZS BC4/ZS BC4/ZS BC4/ZS	U/C3/U U/C3/U U/C3/U U/C3/U U/C3/U	FSF/FSF UT/UT US/US UT/UT US/US	IB/IB DM/DM DM/DM DM/DM DM/DM	HM HM HM HM HM	BA BA BA BA BA	Yes Yes Yes Yes Yes
Associated Materials, Inc. - Southwest 7550 E. 30th St. Yuma, AZ 85365 928-344-6500 AWCSW IGCC(R)/IGMA(R) + date	2551 4108 4308 4309 4609 4610	BC3/MC1/MT/CT BC4/ZS BC4/ZS BC4/ZS BC4/ZS BC3/MC1/MT	U/C3/U U/C3/U U/C3/U U/C3/U U/C3/U U/C3/U	FS/FS US/US UT/UT US/US UT/UT FS/FS	IB/IB DM/DM DM/DM DM/DM DM/DM IB/IB	HM HM HM HM HM HM	BA BA BA BA BA BA	Yes Yes Yes Yes Yes Yes
Beijing Northglass Technologies Co. Ltd No. 1 North Road Beijing 100000 China +861082032601 Not used	4646	BC4/GSLC	U/U	MA	LF	PIB/S2		
Beijing Wuhua Tianbao Glass Co. NO. 1 Renli Road Liqiao Town Shunyi District Beijing 101304 China +86-10-69485045	4243	BC4/GSLC	U/C2	AA	LF	PIB/S2		Yes
Berkowitz, J.E. One Gateway Boulevard PO Box 427 Pedricktown, NJ 08067 856-456-7800 JEB IGCC(R)/IGMA(R) 20	3458 4374 5179 5180	BC4/PLC BC4/GSLC MC4/PK MC4/PK	U/C2 U/C2 U/C2 U/C2	SS AA PHSS PHSS	LF LF LF IB	PIB/S2 PIB /S2 PIB/S2 PIB/S2	BA	Yes Yes Yes Yes
Blue Star Glass Inc. 2300 US Highway 1 Building 31 North Brunswick, NJ 08902 732-422-1272	4618 4619	BC4/GSLC BC4/GSLC	U/C2 U/C2	AA MA	LF LF	PIB/S2 PIB/S2	BA BA	Yes Yes

<u>LICENSEE</u>	<u>CERTIFICATION NUMBER</u>	<u>FRAME CONSTRUCTION</u>	<u>SUBSTRATE</u>	<u>SPACER</u>	<u>DESICCANT</u>	<u>SEALANT</u>	<u>INTERNAL COMPONENTS</u>	<u>GCIA</u>
BMC (Building Materials & Construction Services) 850 White Circle Court PO Box 4237 Marietta, GA 30060 678-819-6163 BMC IGCC(R) IGMA(R) + week, year	3693	BC3/MC1	U/C2	BPS	IB	BPS	BA	
Burhani Glass Factory, LLC 20A St., Ras 71 Khor Ind. Area 1 PO Box 294214 Dubai United Arab Emirates 971-4-3200-448	4232 4233	MC4/PK MC4/PK	U/U U/U	MA SS	LF LF	PIB/S2 PIB/S2		
BVGLAZING SYSTEMS 131 Caldari Road Concord, ON L4K 3Z9 Canada 905-738-8600 BV Glazing Systems IGCC(R)/IGMA(R) Concord ON 2020	4293 4464 5105 5106	BC4/GSLC BC4/GSLC BC4/GSLC BC4/GSLC	U/C2 U/C2 U/C2/U U/C2/U	PHSS SS SS/SS PHSS/PHSS	LF LF LF/LF LF/LF	PIB/S2 PIB/S2 PIB/S2 PIB/S2		Yes Yes Yes Yes
Camyapi Cam Paz. Ins. Taah. Tic.ve San. Ltd. Sti Makine Ihtisas Organize Sanayi Bolgesi Demirciler Mahallesi 5 Cadde No: 6 Kocaeli, Dilovasi 41455 Turkey +90 262-444-12-26	5260	BC4/PLC	U/C2	MA	LF	PIB/S2		
Cardinal CT 140 Carey Drive Utica, OH 43080 740-892-2324	4897	BC3/MC1/MT	U/U	FSF	IB	HM		
Cardinal IG 6415 South Apache Rd. Buckeye, AZ 85326 480-486-4105 CIG 13 IGCC(R)/IGMA(R) + date	4684 4725	BC4/PLC/CT BC4/PLC	U/C2 U/C2/U	SS SS/SS	LF LF/LF	PIB/S2 PIB/S2	BA BA	Yes Yes
Cardinal IG 4611 15th Ave N.W. Fargo, ND 58102 701-492-0920 Cardinal IGCC(R)IGMA(R) CIG-6 Date LoE2	1464 1492 3456 3457 4878 IN	BC4/PLC/CT/MT BC4/ALLC/AF/CT BC4/PLC/MT/CT BC4/ALLC/AF/CT BC4/PLC/CT/MT	U/C2 U/C2 U/C2/U U/C2/U U/C2/U	SS AA SS/SS AA/AA SS/SS	LF LF LF/LF LF/LF LF/LF	PIB/S1 PIB/S1 PIB/S1 PIB/S1 PIB/S1	BA BA BA BA BA	Yes Yes Yes Yes Yes
Cardinal IG 301 E. McSwain Drive PO Box 99 Fremont, IN 46737 260-495-4105 (customer)IGCC(R)IGMA(R)CIG-5 (Quarter/year)	1452 1453 3446 3447	BC4/ALLC/AF/CT BC4/SSLC/AF/CT BC4/PLC/AF/CT BC4/PLC/AF/CT	U/C2 U/C2 U/C2/U U/C2/U	AA SS AA/AA SS/SS	LF LF LF/LF LF/LF	PIB/S1 PIB/S1 PIB/S1 PIB/S1	BA BA BA BA	Yes Yes Yes Yes

<u>LICENSEE</u>	<u>CERTIFICATION NUMBER</u>	<u>FRAME CONSTRUCTION</u>	<u>SUBSTRATE</u>	<u>SPACER</u>	<u>DESICCANT</u>	<u>SEALANT</u>	<u>INTERNAL COMPONENTS</u>	<u>GCIA</u>
Cardinal IG 716 North East 6th Street PO Box 99 Greenfield, IA 50894 641-343-7113 "Customer Name" IGCC® IGMA® CIG-2 "date"	1030 3539	BC4/PLC BC4/PLC/CT	U/C2/U U/C2	SS/SS SS	LF/LF LF	PIB/S1 PIB/S1	BA BA	Yes Yes
Cardinal IG 3125 Neal Creek Mill Road Hood River, OR 97031 541-354-1280 Cardinal IG CIG 9 IGCC(R)/IGMA(R) + date	1923 1924 2553 2554 4683	BC4/ALLC/CT BC4/PLC/CT BC4/ALLC/CT BC4/PLC/CT BC4/PLC	U/C2 U/C2 U/C2/U U/C2/U U/C2	AA SS AA/AA SS/SS SS	LF LF LF/LF LF/LF LF	PIB/S1 PIB/S1 PIB/S1 PIB/S1 PIB/S2	BA BA BA BA BA	Yes Yes Yes Yes Yes
Cardinal IG 50 Elmwood Road Crestwood Industrial Park Mountain Top, PA 18707 570-474-3100 CIG 11 IGCC(R)/IGMA(R) Date code	2221 2222 4721	BC4/ALLC/CT BC4/PLC/CT BC4/SSLC/CT	U/C2/U U/C2 U/C2/U	AA/AA SS SS/SS	LF/LF LF LF/LF	PIB/S1 PIB/S1 PIB/S1	BA BA BA	Yes Yes Yes
Cardinal IG 1300 SW 44th Avenue Ocala, FL 34474 3522916810 Cardinal IG IGCC(R)/IGMA(R) CIG-12 YYYY/MM/DD	3661 4960	BC4/PLC BC4/PLC	U/C2 U/C2/U	SS SS/SS	LF LF/LF	PIB/S1 PIB/S1	BA	Yes Yes
Cardinal IG 1011 E. Madison St. Spring Green, WI 53588 (608) 588-3846 Cardinal IG IGCC(R)/IGMA(R) CIG-3 Quarter/year/coating	1036 1306 3168 3169	BC4/PLC/CT BC4/ALLC/CT BC4/ALLC/CT BC4/PLC/CT	U/C2 U/C2 U/C2/U U/C2/U	SS AA AA/AA SS/SS	LF LF LF/LF LF/LF	PIB/S1 PIB/S1 PIB/S1 PIB/S1	BA BA BA BA	Yes Yes Yes Yes
Cardinal IG 1620 Town Line Road Tomah, WI 54660 608-372-3300 IGCC(R)/IGMA(R) CIG-4 current date	1039 1295	BC4/PLC/CT BC4/ALLC/CT	U/C2/U U/C2	SS/SS AA	LF/LF LF	PIB/S1 PIB/S1	BA BA	Yes Yes
Cardinal IG 2132 Cardinal Park Drive Vinton, VA 21179 540-892-5600	1970 1971 3768	BC4/PLCLC/MT BC4/ALLC/CT BC4/PLC/MT/CT	U/C2 U/C2 U/C2/U	SS AA SS/SS	LF LF LF/LF	PIB/S1 PIB/S1 PIB/S1	BA BA BA	Yes Yes Yes
Cardinal IG 201 Cardinal Road Waxahachie, TX 75165 972-937-4969 Cardinal IG IGCC(R)/IGMA(R) CIG-8 Time, Date	1574 1718 2838	BC4/ALLC BC4/PLC/CT BC4/PLC/CT	U/C2 U/C2 U/C2/U	AA SS SS/SS	LF LF LF/LF	PIB/S1 PIB/S1 PIB/S1	BA BA BA	Yes Yes Yes
Carey Glass UC Limerick Road Nenagh, Co. Tipperary Ireland 353-87-204-2779	5047 5048	BC4/PLC BC4/PLC	U/C2 U/C2	PHSS AA	LF LF	PIB/S2 PIB/S2		Yes Yes

<u>LICENSEE</u>	<u>CERTIFICATION NUMBER</u>	<u>FRAME CONSTRUCTION</u>	<u>SUBSTRATE</u>	<u>SPACER</u>	<u>DESICCANT</u>	<u>SEALANT</u>	<u>INTERNAL COMPONENTS</u>	<u>GCIA</u>
Cascade Windows Inc. 3950 Medford Dr. Loveland, CO 80538 509-847-1331	5302 5303	BC3/MC1/MT BC3/MC1/MT	U/C2 U/C2	FSF FSF	IB IB	HM HM	BA BA	Yes Yes
Cascade Windows Inc. 2225 S 75th Avenue #140 Phoenix, AZ 85043 480-736-8988 WPI20 IGCC(R)/IGMA(R) + date	4800	BC3/MC1/ZS	U/C2	UT	DM	HM	BA	Yes
Cascade Windows Inc. 5323 Harold Gatty Drive Salt Lake City, UT 84116 801-359-2950 IGCC(R)/IGMA(R) WP14 + date	3633 4318 4770 5007 5176	BC3/MC1/ZS/CT BC3/MC1/ZS/CT BC3/MC1/ZS BC3/MC1/MT BC3/MC1	U/C2 U/C2 U/C2 U/C3 U/C2	UT UT US FSF FS	DM DM DM IB IB	HM HM HM HM HM	BA BA BA BA BA	Yes Yes Yes Yes Yes
Cascade Windows Inc. 10507 E. Montgomery Drive Spokane, WA 99206 509-789-3049 IGCC(R)/IGMA(R) WPI1 + date	3495 3792 4771 5009	BC3/MC1/ZS/CT BC3/MC1 BC3/MC1/ZS BC3/MC1	U/C2 U/C2 U/C2 U/C2	UT FS US FS	DM IB DM IB	HM HM HM HM	BA BA BA BA	Yes Yes Yes Yes
Cascade Windows Inc. 10255 SW Spokane Court Tualatin, OR 97062-8823 503-692-6167 IGCC(R)/IGMA(R) WPI 3 + date	4640 5011 5012	BC4/ZS BC3/MC1 BC3/MC1/ZS	U/C2 U/C2 U/C2	UT FSF US	DM IB DM	HM HM HM	BA BA BA	Yes Yes Yes
Cascade Windows Inc. 1660 Tide Ct. Woodland, CA 95776 509-847-1331	5304 5305	BC3/MC1/MT BC3/MC1/MT	U/C2 U/C2	FSF FSF	IB IB	HM HM	BA BA	Yes Yes
Central Valley Glass & Screen, Inc. 5854 88th St. Sacramento, CA 95828-1104 916-421-5293	5104	BC3/MC1/MT	U/C2/U	FSF/FSF	IB/IB	HM	BA	
Chain Glass Enterprises Inc. 2710 Rizal Ave, Sta. Cruz Manilla 1007 Philippines 7816791	4634	BC4/ALLC	U/C1	MA	LF	PIB/S2		
Changshu High-Tech Energy-Saving Dorwin Co., Ltd. Industrial Park, Yanxiang Village Shanghu Town Changsu, Jiangsu 215551 China 86-0512-52122530 Changshu High-Tech IGCC®/IGMA® 2020	4894 5099 5125	MC4/PK MC4/PK MC4/PK	U/C2 U/C2 U/C2	PHAA PPS AA	LF LF LF	PIB/PS2 PIB/RHM PIB/PS2	BL BL BL	

<u>LICENSEE</u>	<u>CERTIFICATION NUMBER</u>	<u>FRAME CONSTRUCTION</u>	<u>SUBSTRATE</u>	<u>SPACER</u>	<u>DESICCANT</u>	<u>SEALANT</u>	<u>INTERNAL COMPONENTS</u>	<u>GCIA</u>
ChangShu MayBo Glass Co., Ltd Zhouhang, Haiyu Town Changshu, Jiangsu 215517 China 0512-52590663	4225 4226 4227 5036 5098	BC3/MC1/MT BC3/MC1 MC4/PK BC3/MC1 BC3/MC1	U/C3 U/C3 U/C3 U/C3 U/U	FSF BCS AA BCS BCS	IB IB LF IB IB	PU2 BCS/PU2 PIB/PU2 BCS/PU2 BCS/PS2	GI GI GI GI GI	Yes Yes Yes Yes Yes
Changshu Sedy Glass Specialties Co., Ltd Shengfa Village, Meili Town Changshu, Jiangsu 215511 China 0512-52215318	3804	BC3/MC1	U/U	BCS	IB	BCS	GI	
Changshu Sysen Glass Products Co., Ltd. Zhoushi Road Shiqiao Village Meili Town Changshu Suzhou City, Jiangsu Province 215511 China 0512-52333829	4459 4460	MC4/PK BC3/MC1	U/C3 U/C3	AA BCS	LF IB	PIB/PS2 BCS/PS2	GI GI	Yes Yes
Changshu Weier Glass Products Co. Ltd. Haiyu Town Changshu, Jiangsu 215519 China 86-512-52569644	3073 4953	MC4/PK BC3/MC1	U/C3 U/U	AA BCS	LF IB	PIB/PU2 BCS/PS2	GI GI	Yes
Changshu ZhongXin Building Materials Co., Ltd. Meili Town Changshu, Jiangsu 215500 China ZX IGCC(R)/IGMA(R) 20	3435 4012 4122 4124	MC4/PK MC4/PK BC3/MC1 BC3/MC1	U/C2 U/C2 U/C2 U/C2	AA AA BCS BCS	LF LF IB IB	PIB/PS2 PIB/PS2 BCS BCS/PS2	GI GI GI GI	
Chin Ta Glass Co., Ltd. No 39-16 Chenggong Road Dounan Township Yunlin, Taiwan 630 China 886-5-5962492	4716	BC4/GSLC	U/C2	MA	LF	PIB/S2		
Ching Chyau Co., Ltd. No. 560, Feng-lin Second Road, Da-liao District Kaohsiung City, Taiwan 831 China 886-7-7878959	2891	MC4/PK	U/C2	AA	LF	PIB/S2		
Chongqing SYP Engineering Glass Co., Ltd. No. 1 Yaopi Road, Wandong Town, Economic and Technological Development Zone Chongqing 400800 China	4724	BC4/GSLC	U/C2	AA	LF	PIB/S2		Yes

<u>LICENSEE</u>	<u>CERTIFICATION NUMBER</u>	<u>FRAME CONSTRUCTION</u>	<u>SUBSTRATE</u>	<u>SPACER</u>	<u>DESICCANT</u>	<u>SEALANT</u>	<u>INTERNAL COMPONENTS</u>	<u>GCIA</u>
Cmech Ltd. 2 FengGuang Road ZhongXin Town ZengCheng City, Guangdong 511365 China 86-020-61737991	3260	MC4/PK	U/U	AA	LF	PIB/PS2	BL	
Columbia Commercial Bldg Prod. 1200 East Washington Street Rockwall, TX 75087 972-771-7100 CCBP IGCC®/IGMA® 20	3583 4416	BC3/MC1/MT BC4/GSLC	U/C2 U/C2	FSF AA	IB LF	PIB/S2 PIB/S2		
Comercial Dialum SA Panamericana Norte 18.600, Lampa Santiago 9390306 Chile 56-2-24988600	4694	BC4/GSLC	U/C2	MA	LF	PIB/S2		
Complete Line Glass Wholesalers, Inc. 8175 Bracken Creek Dr San Antonio, TX 78266 210-651-9873 CLGW IGCC(R)/IGMA(R) 2020	4811	MC4/PK	U/C2	AA	LF	PIB/S2	BA	
Consolidated Glass and Mirror, LLC 110 Jack Guynn Drive Galax, VA 24333 276-236-5196 GRD-024 IGCC(R)/IGMA(R) 2020	3214 3215 3499 5148 5153	BC3/MC1/MT BC3/MC1 BC3/MC1 BC3/MC1/MT BC3/MC1	U/C2/U U/C2 U/C2 U/C2/U U/C2/U	FSF/FSF BCS BPS FSF/FSF BPS/BPS	IB/IB IB IB IB/IB IB/IB	HM BCS BPS HM BPS	BA BA BA BA BA	Yes Yes Yes Yes Yes
CRICURSA SA C/Marinada 10-12 Balaguer, Lleida 25600 Spain +34 973 446 902	4212 5139	MC4/PK MC4/PK	U/C3 U/C3	AA PHSS	LF LF	PIB/S2 PIB/S2		Yes Yes
CS ECO Glass LOT 635 & 660 Kawasan Perindustrian Tuanku Jaafar Sungai Gadut, Negeri Sembilan 71450 Malaysia Not used	4781	BC4/GSLC	U/C2	AA	LF	PIB/S2		Yes
Custom Glass Prod. Of Carolina PO Box 2049 1475 Harrison Rd. Salisbury, NC 28144 704-633-4946 CGPC IGCC®/IGMA® 1/20	3876	MC4/PK	U/U	AA	LF	PIB/RHM		
Custom Glass Products Inc. 7515 Venture Circle Weston, WI 54476 715-359-2252 "Custom Glass WI 2020"	2979	MC4/PK	U/U	MA	LF	PIB/S2		



<u>LICENSEE</u>	<u>CERTIFICATION NUMBER</u>	<u>FRAME CONSTRUCTION</u>	<u>SUBSTRATE</u>	<u>SPACER</u>	<u>DESICCANT</u>	<u>SEALANT</u>	<u>INTERNAL COMPONENTS</u>	<u>GCIA</u>
Dalian Yihai Safety Glass Science & Technology Co., Ltd. Maoyingzi, Dalianwan Subdistrict Ganjingzi District Dalian, Liaoning Province 116110 China 86-18017018903	5090	BC4/GSLC	U/C2	PHSS	LF	PIB/S2		
Dallas Flat Glass 1304 Champion Circle Carrollton, TX 75006-6803 972-506-9580 DFGD IGCC®/IGMA®	3038 4956	MC4/PK MC4/PK	U/C3 U/C3	AA AA	LF LF	PIB/PS2 PIB/S2	BA BA	
Dlubak Specialty Glass Corporation 520 East Chestnut St. P O Box 510 Blairsville, PA 15717 724-459-9540 Dlubak Corp IGMA(R)/IGCC(R) YY	4958 5223 5288	MC4/PK MC4/PK MC4/PK	U/U U/U U/U	AA PHSS SS	LF LF LF	PIB/S2 PIB/S2 PIB/S2		
Dong Yang Glass Co., Ltd. Jungang-ro, Gwangju-si 354-12, Jungang-ro Gwangju-si, Gyeonggi-do 464-903 South Korea 82-2-2164-0027	4072	BC4/GSLC	U/C2	PHSS	LF	PIB/S2		Yes
Dongguan CSG Architectural Glass Co., Ltd. CSG Green Energy Industrial Park Machong Town Dongguan, Guangdong China 86-769-88288292	2660 4601 4602	BC4/GSLC BC4/GSLC BC4/GSLC	U/C2 U/C2 U/C2	AA PHSS SS	LF LF LF	PIB/S2 PIB/S2 PIB/S2		Yes
Dongguan Longhui Architectural Glass Co. Ltd Taokeng Wulian Industrial Park, Wulian Village Fenggang Town Dongguan, Guangdong 532695 China 86-0769-87298666	4333	BC4/GSLC	U/C2	MA	LF	PIB/S2		
Donguan Ngai Wah Bending Tempering Glass Company Limited Hekeng Industrial Area, Qiaotou Town Donguan City, Guangdong Province 52300 China +86 769 81029188	4447	MC4/PK	U/C2	AA	LF	PIB/S2		
Dynamic Windows & Doors Inc. 30440 Progressive Way Abbotsford, BC V2T 6W3 Canada 604-864-8200	2680 3713	MC4/PK BC3/MC1/MT	U/C2 U/C2	AA FSF	LF IB	PIB/RHM PIB/RHM	BA BA	Yes Yes

<u>LICENSEE</u>	<u>CERTIFICATION NUMBER</u>	<u>FRAME CONSTRUCTION</u>	<u>SUBSTRATE</u>	<u>SPACER</u>	<u>DESICCANT</u>	<u>SEALANT</u>	<u>INTERNAL COMPONENTS</u>	<u>GCIA</u>
Eckelt Glas GmbH ResthofstraBe 18 Postfach 10 Steyr A4403 Austria 43 7252 894 0 Eckelt IGCC(R)/IGMA(R) 2019 Saint Gobain CE Mark, CDP	2228 2229 2230	BC4/SSLC/AP BC4/SSLC/AP BC4/SSLC/AP	U/C2/U U/C2/U U/C2/U	MA/MA SS/SS SS/SS	LF/LF LF/LF LF/LF	PIB/PS2 PIB/PS2 PIB/S2		Yes Yes Yes
ECO Glass Production 9101 NW 87th Ave Medley, FL 33178 7862533327	5097	BC4/ALLC	U/C2	MA	LF	PIB/S2		
EFCO Corporation 1000 County Road Monett, MO 65708-9214 417-235-6011 EFCO Corp. IGCC®/IGMA® time, date	2244 3459 4473 4865 4866 4901	BC3/MC1/AP BC4/GSLC BC4/GSLC BC4/GSLC BC4/GSLC BC3/MC1/AP	U/C2 U/C2 U/C2 U/C2 U/C2 U/C2	UT PHSS AA AA PHSS UT	DM LF LF LF LF DM	RHM/HM PIB/S2 PIB/S2 PIB/S2 PIB/S2 RHM/HM	BA     BA	Yes Yes Yes Yes Yes Yes
Emirates Glass L.L.C. PO Box 29769 Interchange 4, Al Quoz Industrial Area Dubai United Arab Emirates 00971-47094789	2334	BC4/ALLC	U/C2	MA	LF	PIB/S2		
Engineered Glass Products, L.L.C. 2857 S. Halsted Street Chicago, IL 60608-5907 3123264710 3526 IGCC(R)/IGMA(R) 2020	3526	BC3/MC1	U/C1	BCS	IB	BCS		
Erdem Dis Ticaret A.S. Velibaba Mah. Aydos Cad. No:10 Istanbul, Pendik 34896 Turkey +902165856561	5138	BC4/SSLC	U/C2/U	PHSS/PHSS	LF/LF	PIB/S2		Yes
Fairis C.A. 298 Verde Loma y Quis Picacha Ambato, Tungurahua 18010112 Ecuador 59332520901 FAIRIS®Insulating Glass IGCC®/IGMA® ASTME2190(®) (year)	4758 4759 5172	BC4/SSLC BC4/SSLC/CT BC4/SSLC	U/U U/U U/C2	AA AA AA	LF LF LF	PIB/PS2 PIB/PS2 PIB/S2		Yes  Yes
FAKRO GP Sp. Z.0.0. ul. Wegierska 144A 33-300 Nowy Sacz VAT number: PL 734-30-11-797 Poland 481-844-4053 FGP FAKRO IGCC(R)/IGMA(R) + date	4323 4914	BC4/GSLC BC4/PLC/AP	U/C2 U/C3	PHSS PHSS	LF LF	PIB/PU2 PIB/S2		Yes Yes

<u>LICENSEE</u>	<u>CERTIFICATION NUMBER</u>	<u>FRAME CONSTRUCTION</u>	<u>SUBSTRATE</u>	<u>SPACER</u>	<u>DESICCANT</u>	<u>SEALANT</u>	<u>INTERNAL COMPONENTS</u>	<u>GCIA</u>
Fenplast, Inc. 160, boul. de L'industrie Candiac, QC J5R 1J3 Canada 514-990-0012 Fenplast - Candiac, QC MM/YYYY IGCC@IGMA@	3451	BC3/MC1/MT	U/C1/U	FSF/FSF	IB/IB	HM	BA	Yes
Flat Glass Distributors 5355 Shawland Road Jacksonville, FL 32254 904-354-5413 FGD IGCC(R)/IGMA(R) 2020	2467 IN 5221	BC3/MC1/MT BC3/MC1/MT	U/C2 U/C2	FSF FSF	IB IB	HM RHM	BA BA	
Flat Glass Group Co., Ltd. 1999 Yunhe Rod., Xiuzhou Industrial Zone Jiaxing City, Zhejiang 314001 China 86-139-05735930	4144	BC4/GSLC	U/C2	AA	LF	PIB/S2		
Future Architectural Glass LLC P 278, Al Ghail Industrial Area PO Box 86001 Al Ghail Ras Al Khaimah United Arab Emirates 072589274	3641	BC4/SSLC	U/U	MA	LF	PIB/S2		
General Glass 6601 NE 112th Court Vancouver, WA 98662 503-253-1147	3617 4231	BC4/GSLC MC4/PK	U/C2 U/C2	MA MA	LF LF	PIB/PS2 PIB/S2	BA BA	
Gentek Building Products an Associated Materials Inc. Company 6320 Colonel Talbot Rd. London, ON N6P 1J1 Canada 519-652-3246 Gentek IGCC(R)/IGMA(R) 2382 + date	2382	BC3/MC1/MT	U/C3	FSF	IB	HM	BA	Yes
GLASPRO 9401 Ann Street Santa Fe Springs, CA 90670 562-777-4148	4421	MC4/PK	U/C2	AA	LF	PIB/S2		
Glass and Mirror Craft PO Box 930439 Wixom, MI 48393 2486246922 G&MC IGCC(R)/IGMA(R) 2020	4428 5049 5050 5200	BC4/PLC BC4/GSLC BC4/SSLC BC3/MC1/MT	U/C2 U/C2 U/C2 U/C2	AA SS PHSS FSF	LF LF LF IB	PIB/S2 PIB/S2 PIB/S2 HM	BA BA BA	Yes Yes
Glass Enterprises, Inc. 2277 New York Avenue Bensalem, PA 19020 215-638-1007 BETA-PANE IGCC(R)/IGMA(R) '20	3701	BC4/GSLC	U/C2	AA	LF	PIB/PS2	BA	

<u>LICENSEE</u>	<u>CERTIFICATION NUMBER</u>	<u>FRAME CONSTRUCTION</u>	<u>SUBSTRATE</u>	<u>SPACER</u>	<u>DESICCANT</u>	<u>SEALANT</u>	<u>INTERNAL COMPONENTS</u>	<u>GCIA</u>
Glass Insulators Inc. 507 Main Street Bloomer, WI 54724 715-568-3649 GII IGCC(R)/IGMA(R) 2020	3144 3976	BC3/MC1/MT BC4/GSLC	U/C2/U U/C2/U	FSF/FSF MA/MA	IB/IB LF/LF	HM PIB/PS2	BA BA	Yes
Glassbel Baltic 11, Pramonės Str. LT-94102 Klaipėda Lithuania +370-46-416380 GLASSBEL IGCC(R)/IGMA(R) + year + other info	4728 4729 4730	BC4/GSLC BC4/SSLC BC4/GSLC	U/C2/U U/C2/U U/C2/U	MA/MA SS PHSS	LF/LF LF LF	PIB/S2 PIB/S2 PIB/S2		Yes Yes Yes
GlassecViracon Rodovia Dom Pedro I, KM 58 Nazaré Paulista, São Paulo 1296000 Brazil +551145978105 Glassec Viracon IGCC®/IGMA® 2019	5100 5101	MC4/PK MC4/PK	U/C1 U/C1	SS MA	LF LF	PIB/S2 PIB/S2		Yes Yes
GlassFab Tempering Services Inc. Holly Drive 4101 Holly Drive Tracy, CA 95376 209-229-1060 GlassFab IGCC®/IGMA® 20	2685	MC4/PK	U/C2	MA	LF	PIB/S2		
Glasstech Industries B.S.C. PO Box No. 50968 Bahrain International Investment Park Building 325, Road No. 1506, Block-115 Hidd, Manama Bahrain +973 17464418	4925 5054	BC4/GSLC MC4/PK	U/C3 U/C2	MA SS	LF LF	PIB/S2 PIB/S2		Yes
Glasswerks GWA- West 2323 Firestone Blvd. South Gate, CA 90280 323-789-7800x351 GWA IGCC(R)/IGMA(R) 2020	2653 3727 3728 4023 4024	BC4/GSLC BC4/GSLC BC4/GSLC BC3/MC1/MT BC4/GSLC	U/C2 U/C2 U/C2 U/C2 U/C2	AA MA AA FSF MA	LF LF LF IB LF	PIB/PS2 PIB/S2 PIB/S2 PIB/S2 PIB/PS2		Yes Yes Yes Yes Yes
Glasswerks GWLA- East 8600 Rheem Ave. South Gate, CA 90280 323-789-7810 GWLA IGCC(R)/IGMA(R) 2020	4340 4812 5248	BC4/GSLC BC4/GSLC BC3/MC1/MT	U/C2 U/C2 U/C2	AA AA FSF	LF LF IB	PIB/S2 PIB/PS2 PIB/S2		Yes
Glasswerks GWT 42005 Zevo Drive Temecula, CA 92590 323-636-1906 GWT IGCC(R)/IGMA(R) 2020	4404 4902	MC4/PK MC4/PK	U/C2 U/C2	MA AA	LF LF	PIB/S2 PIB/S2	BA BA	Yes Yes

<u>LICENSEE</u>	<u>CERTIFICATION NUMBER</u>	<u>FRAME CONSTRUCTION</u>	<u>SUBSTRATE</u>	<u>SPACER</u>	<u>DESICCANT</u>	<u>SEALANT</u>	<u>INTERNAL COMPONENTS</u>	<u>GCIA</u>
Glaz-Tech Industries, Inc. 8017 Edith Blvd. Albuquerque, NM 87113 (505) 898-1460 GTI 04 IGCC(R)/IGMA(R) '20	1285	MC4/PK/CT	U/C2	AA	LF	PIB/PS2	BA	
Glaz-Tech Industries, Inc. 10757 North Dual Street Baton Rouge, LA 70814 225-442-7040 GTI-09 IGCC(R)/IGMA(R) 20	4399	MC4/PK	U/C2	AA	LF	PIB /PS2	BA	
Glaz-Tech Industries, Inc. 1200 W Amity Road Boise, ID 83705-5413 208-389-1080	3076	MC4/PK	U/C2	AA	LF	PIB/PS2	BA	
Glaz-Tech Industries, Inc. 4005 S. Clay St. Englewood, CO 80110 303-399-8587 GTI 07 IGCC(R)/IGMA(R) '20	3802	MC4/PK	U/C2	AA	LF	PIB /PS2	BA	
Glaz-Tech Industries, Inc. 4931 W. Brill Street Phoenix, AZ 85043 (602) 272-1544 GTI-02 IGCC(R)/IGMA(R) 20	4611	MC4/PK	U/C2	AA	LF	PIB/S2	BA	
Glaz-Tech Industries, Inc. 2191 South 300 West, Suite # 5 Salt Lake City, UT 84115 801-467-3136 GTI-06 IGCC(R)/IGMA(R) 2020	5280	MC4/PK	U/C2	AA	LF	PIB/PS2		
Glaz-Tech Industries, Inc. 2191 South 300 West, Suite # 5 Salt Lake City, UT 84115 801-467-3136 GTI-06 IGCC(R)/IGMA(R) 2020	2330	MC4/PK/CT	U/C2	AA	LF	PIB/HM	BA	
Glaz-Tech Industries, Inc. 150 Industrial Rd. Santa Teresa, NM 88008 505-589-4970 GTI03 IGCC(R)/IGMA(R) 20	2340	MC4/PK	U/C2	AA	LF	PIB/PS2	BA	
Glaz-Tech Industries, Inc. 2207 East Elvira Road Tucson, AZ 85745 520-629-0268 GTI-01 IGCC(R)/IGMA(R) 20	2920	MC4/PK	U/C2	AA	LF	PIB/HM	BA	
	5337	MC4/PK	U/C2	AA	LF	PIB/PS2	BA	
	5338	MC4/PK	U/C2	AA	LF	PIB/HM	BA	
Glenny Glass Co. 205 Castleberry Court Milford, OH 45150 513-489-2233 GLG IGCC(R)/IGMA(R) 2020	2427	BC4/PLC	U/C1	MA	LF	PIB/PS2	BA	
Global Security Glazing 616 Selfield Road Selma, AL 36703 334-875-1900 GSG IGCC(R)/IGMA(R) 2020	3711	MC4/PK	U/C2	MA	LF	PIB/S2		
	5320	BC4/PLC	U/C2	SS	LF	PIB/S2		Yes
	5322	MC4/PK	U/C2	PHSS	LF	PIB/S2		Yes
	5323	MC4/PK	U/C2	AA	LF	PIB/S2		Yes

<u>LICENSEE</u>	<u>CERTIFICATION NUMBER</u>	<u>FRAME CONSTRUCTION</u>	<u>SUBSTRATE</u>	<u>SPACER</u>	<u>DESICCANT</u>	<u>SEALANT</u>	<u>INTERNAL COMPONENTS</u>	<u>GCIA</u>
GnT Glass Co., Ltd. District A, St 1, Ring 3 Huaxia Industrial Zone, Qiatou Dongguan, Guangdong 523532 China +86-138-2373-5541	3791 4591 5028	BC4/GSLC BC4/GSLC MC4/PK/PT/AP	U/U U/C2/U U/C2	MA MA/MA SS	LF LF/LF LF	PIB/S2 PIB/S2 PIB/S2		Yes
Grupo Vidrios el Castillo Avenida Las Industrias #500 Escobedo, Nuevo Leon 66062 Mexico 81-8154-5600	3516	BC4/GSLC	U/C2	MA	LF	PIB/S2		
G-TECH Optoelectronics Corporation No. 99, Chung Hsin Rd. Tongluo Shian Miaoli County, Taiwan 36647 China 037-236-988	4228	BC4/PLC	U/C3	AA	LF	PIB/S2		
Guang Dong Kibing Energy Saving Glass Co., LTD Guangdong Silicon Industry Basement Lankou Town, Dongyuan County Heyuan City, Guangdong 517564 China +86-762-8807993	4806	BC4/GSLC	U/C2	AA	LF	PIB/S2		
Guangdong Avic Special Glass Technology Co., Ltd No. 23, Shihua Blvd West Xiangshui River Industrial Park, Daya Bay Huizhou, Guangdong 516083 China 075527633580 Guangdong AVIC ASTM E2190 '20 IGCC@/IGMA@	2614 4817	BC4/GSLC BC4/GSLC	U/C2 U/C2	AA PHSS	LF LF	PIB/S2 PIB/S2		Yes
Guangdong Jiming Glass Group Co., Ltd 1# Building, Huangcun Jiming Energy-Saving Industrial Park Lilin Town, Zhongkai Hi-Tech Zone Huizhou, Guangdong 516035 China +8618926598280	5247	BC4/GSLC	U/U	AA	LF	PIB/S2		
Guangdong South Star Glass Limited No. 6 Tuoye Road Sanshui Central Industrial Zone Leping Town, Sanshui District Foshan, Guangdong 528137 China +86 134 2768 7966	5016	BC4/GSLC	U/C2	AA	LF	PIB/S2		

<u>LICENSEE</u>	<u>CERTIFICATION NUMBER</u>	<u>FRAME CONSTRUCTION</u>	<u>SUBSTRATE</u>	<u>SPACER</u>	<u>DESICCANT</u>	<u>SEALANT</u>	<u>INTERNAL COMPONENTS</u>	<u>GCIA</u>
Guardian Fabrication, LLC 150 Business Park Drive Sun Prairie, WI 53590 608-825-9907 Sales order number etching on glass current date	3607 4647 4707 IN 4711 IN 4907 IN 4908 4909 IN 4910 IN	BC4/SSLC/CT BC4/SSLC/IC MC4/PK MC4/PK MC4/PK BC4/SSLC VG/BC4/SSLC VG/MC4/PK	U/C2 U/C2 U/C2 U/C2 U/C2/U U/C2/U U/U/C2 U/C2/U	DPHS PHSS AA SS AA/AA PHSS/PHSS VG/PHSS VG/SS	DM DM LF LF LF/LF DM/DM VG/DM VG/LF	PIB/S1 PIB/S1 PIB/S1 PIB/S1 PIB/S1 PIB/S1 VG/PIB/S1 VG/PIB/S1	BA BA BA BA BA BA BA BA	Yes Yes Yes Yes Yes Yes Yes Yes
Gulf Glass Industries, LLC Industrial Area 13 PO Box 6022 University City Road Sharjah 6022 United Arab Emirates 971-65-385500	4784	BC4/ALLC	U/U	MA	LF	PIB/S2		
Hankuk Glass Industries, Inc. 17, Oehang 6-gil Gunsan-si, Jeollabuk-do 54007 South Korea 82-63 460 4521	2387	MC4/PK	U/C2	AA	LF	PIB/S2		
Hartung Glass Industries 12900 Nicholson Road Farmers Branch, TX 75234 972-629-6890 IGCC(R)/IGMA(R) Hartung W70 2020	4417	BC4/GSLC	U/C2	MA	LF	PIB/S2		
Hartung Glass Industries 17830 West Valley Highway Tukwila, WA 98188 800-552-2227	2494 4566 4969	MC4/PK/CT BC3/MC1/MT MC4/PK	U/C2/U U/C2/U U/C2	MA/MA FS/FS SS	LF/LF IB/IB LF	PIB/S2 PIB/S2 PIB/S2	BA	Yes Yes Yes
Hartung Glass Industries 10450 SW Ridder Road Wilsonville, OR 97070 503-682-3846 None	2671 2673 3614 IN	BC3/CMC1/MT MC4/PK MC4/PK	U/C2 U/C2 U/C2	FSF MA MA	IB LF LF	RHM PIB PIB/RHM	BA BA BA	Yes Yes Yes
Harvey Building Products 30 Jack's Bridge Road Londonderry, NH 03053-2145 603-216-8400 HII-1 IGCC(R)/IGMA(R) date time	2712 4559 4560 4845	BC3/MC1/SS/AP BC3/MC1/SS BC3/MC1/SS BC3/MC1/SS	U/C2/U U/C2 U/C3 U/C2	UT/UT UT UT US	DM DM DM DM	HM/RHM HM HM HM	BA BA BA BA	Yes Yes Yes Yes
Harvey Building Products 7 Ledgewood Boulevard North Dartmouth, MA 02747 508-998-9779 H113IGCC(R)/IGMA(R) date	2719 3744 3842 4185	BC3/MC1/SS/AP BC3/MC1/SS BC3/MC1/SS/AP BC3/MC1/SS/AP	U/C2/U U/C2 U/C2 U/C3	UT/UT US UT UT	DM/DM DM DM DM	HM/RHM HM HM HM	BA BA BA BA	Yes Yes Yes Yes

<u>LICENSEE</u>	<u>CERTIFICATION NUMBER</u>	<u>FRAME CONSTRUCTION</u>	<u>SUBSTRATE</u>	<u>SPACER</u>	<u>DESICCANT</u>	<u>SEALANT</u>	<u>INTERNAL COMPONENTS</u>	<u>GCIA</u>
Huizhou Wei Jin Yuan Glass Technology Co., Ltd. Lian-Da Industry Zone Xinxu Town, Huiyang District Huizhou, Guangdong 516223 China 86-138-2373-6090	3787	BC4/GSLC	U/C2	AA	LF	PIB/S2		
Innovative Glass Products LLC 1430 Bradley Lane Suite 102 Carrollton, TX 75007 469-726-2662 IGP IGCC®/IGMA® MM/DD/YYYY (glass etch)	4922	BC3/MC1	U/C2	FSF	IB	RHM/n/a	BA	
Insulite Glass Co., Inc. 780 W. Frontier Circle PO Box 2803 Olathe, KS 66063-0803 913-780-2233 ISL 2020 IGCC(R) IGMA (R)	1702	BC4/GSLC	U/C1	MA	LF	PIB/S2	BA	Yes
	3281	BC4/GSLC	U/C1	PHSS	LF	PIB/S2	BA	Yes
	4398	BC3/MC1/MT	U/C1	FSF	IB	PIB/S2		Yes
Interpane Glasgesellschaft, mbH - Lauenforde SohnreyastraBe, 21 Lauenforde 37697 Germany 49-1609-728-7363 Interpane 2 + date + IGCC(R)/IGMA(R) + cert #	4508	BC4/SSLC	U/C3/U	SS/SS	LF/LF	PIB/S2		Yes
	4509	BC4/SSLC	U/C3/U	PHSS/PHSS	LF/LF	PIB/S2		Yes
	4510	BC4/ALLC	U/C3/U	AA/AA	LF/LF	PIB/S2		Yes
	4511	BC4/ALLC	U/C3/U	AA/AA	LF/LF	PIB/PS2		Yes
Interpane Glasgesellschaft, mbH - Plattling Robert Bosch Strasse, 2 Plattling, Germany 94447 Germany 49-9931-950-0 Interpane + date + batch + IGCC(R)/IGMA(R) + Cert#	4034	BC4/SSLC	U/C3/U	SS/SS	LF/LF	PIB/S2		Yes
	4035	BC4/PLC	U/C3/U	PHSS/PHSS	LF/LF	PIB/S2		Yes
	4044	BC4/ALLC	U/C3/U	AA/AA	LF/LF	PIB/PS2		Yes
	4045	BC4/ALLC/AP	U/C3/U	AA/AA	LF/LF	PIB/S2		Yes
	4882	BC3/MC1/MT	U/C3	FSF	IB	PIB/S2		Yes
Intigral 6750 Vistoria East Austintown, OH 44515 330-793-7677 INT AT IGCC(R)/IGMA(R) Date	1200 IN	BC3/MC1/AP	U/C3	UT	DM	HM	BA	Yes
	3027	BC3/MC1/MT	U/C3/U	FSF/FSF	IB/IB	HM	BA	Yes
	3028	BC3/MC1/MT	U/C3/U	FSF/FSF	IB/IB	HM	BA	Yes
	3301 IN	BC3/MC1/SS	U/C3/U	SS/SS	MX/MX	HM	BA	Yes
	4627	BC4/SS/IC	U/C2/U	US/US	DM/DM	RHM	BA	Yes
	4686	BC3/MC1/SS	U/C3	UT	DM	RHM	BA	Yes
Intigral 7280 Dutton Drive Twinsburg, OH 44087 440-317-0715 INT TW IGCC(R) IGMA(R) Date	4689	BC3/MC1/SS	U/C3	US	DM	RHM/RHM	BA	



<u>LICENSEE</u>	<u>CERTIFICATION NUMBER</u>	<u>FRAME CONSTRUCTION</u>	<u>SUBSTRATE</u>	<u>SPACER</u>	<u>DESICCANT</u>	<u>SEALANT</u>	<u>INTERNAL COMPONENTS</u>	<u>GCIA</u>
Intigral 7850 Northfield Rd. Walton Hills, OH 44146 440-439-0980 INT WH IGCC(R)/IGMA(R) Date	3663 3664 IN 3921 3922 4052	BC3/MC1/MT BC3/MC1/MT BC3/MC1/SS BC3/MC1 BC3/MC1/MT	U/C3/U U/C1/U U/C3/U U/C3/U U/C3/U	FSF/FSF FSF US/US UT/UT FSF/FSF	IB/IB IB/IB DM/DM DM/DM IB/IB	HM HM RHM RHM RHM	BA BA BA BA BA	Yes Yes Yes Yes Yes
Isam M. Khairi Kabbani Glass Works LLC Jeddah 3rd Industrial City Jeddah, Mecca 22772 Saudi Arabia +966126278877	5240	BC4/GSLC	U/C2	MA	LF	PIB/S2		
Isoterglass SRL Val 1 Maggio 8 Galliera Veneta, Padova 35015 Italy 390495965411	4816	BC4/SSLC/AP	U/C3	PHSS	LF	PIB/S2		Yes
Jasan Glass - JSG 459-1 Neojo-Ri, Jori-Eup Paju, Gyeonggi 413-821 South Korea 82-31-941-6289	2275	BC4/SSLC	U/C2	PHSS	LF	PIB/S2		Yes
Jersey Tempered Glass, Inc. 2035 Briggs Rd. Mt. Laurel, NJ 08054 856-273-8700 JTG IGCC(R)/IGMA(R) 20	689 750	MC4/PK MC4/PK	U/C1 U/C1	AA AA	LF LF	PU2 PIB/PU2	BA BA	
Jiangmen SYP Engineering Glass Co, Ltd. 10 Yinyuan Road Economic Development Zone, Xinhui Jiangmen, Guangdong 529141 China 86-750-6398999 SYPE IGCC@/IGMA@ E2190 20	2856 3237 3238	BC4/GSLC BC4/GSLC BC4/GSLC	U/C2 U/C2 U/C2	AA SS PHSS	LF LF LF	PIB/S2 PIB/S2 PIB/S2		Yes
Jiangmen Yamako Glass Co., Ltd. No. 10, Hongye three road Daze Town Xinhui District Jiangmen, Guangdong China 852-279-6886	3642	BC3/MC1/MT	U/U	FS	IB	HM		
Jingmei Curtain Wall Technology Co., Ltd. North of Weiyi Road Yanjin County Textile Industrial Park Xinxiang, Henan 453000 China +86 18637395700	5159	BC4/GSLC	U/C2	AA	LF	PIB/S2		Yes

<u>LICENSEE</u>	<u>CERTIFICATION NUMBER</u>	<u>FRAME CONSTRUCTION</u>	<u>SUBSTRATE</u>	<u>SPACER</u>	<u>DESICCANT</u>	<u>SEALANT</u>	<u>INTERNAL COMPONENTS</u>	<u>GCIA</u>
Jinzhou Fortune Spring Glass Co., Ltd. Wuyi Mountain Road #1 The Economic Development Zone Jinzhou, Liaoning 121007 China 86-416-3581084	2811 2813 4905 4906	BC3/MC1 BC3/MC1/CT BC3/MC1 BC3/MC1	U/U U/U U/C2 U/C2	BCS BCS BCS BCS	IB IB IB IB	BCS/PS2 BCS/PS2 BCS/PS2 BCS/PS2	GI GI GI GI	
Jiuh Sheng Glass Co., Ltd. No. 19, Zhongxing Road New Taipei City 236, Tucheng District 23678 Taiwan 886-2-2267-4929-225	4310	BC3/MC1/PK	U/U	AA	LF	PIB/S2		
Kawneer - (Cranberry) an Arconic Company 71 Progress Ave. Cranberry Ind. Pk. Cranberry Township, PA 16066-3596 724-776-7000 Kawneer Cranberry IGCC(R)/IGMA(R)Date	4487 4576 4577 4617	BC4 BC4/SSLC BC4/SSLC BC4/IC	U/C2/U U/C2 U/C2 U/C2	RTP/RTP MA MA RTP	IB/IB LF LF IB	RTP/S2 PIB/S2 PIB/S2 RTP/S2	BA  BA BA	Yes Yes Yes Yes
Kenyon's Stained Glass Factory, LLC. 5720 North Meadows Drive Grove City, OH 43123 614-539-8740 Kenyon IGCC(R)/IGMA(R) 2020	3680 4359 5314	MC4/PK BC3/MC1 BC3/MC1/MT	U/C2 U/C2 U/C2	AA FSF FSF	LF IB IB	PU2 PU2 PU2	GI GI	
La Tecnica Nel Vetro SpA Via. Domenico Catalano 88 Scafati, Salerno 84018 Italy 39-392-771-2550	4544 4545 4998 5112	BC4/SSLC/AP BC4/SSLC BC4/SSLC BC4/SSLC	U/C2/U U/C2/U U/C2 U/C2	PHSS/PHSS PHSS/PHSS PHSS AA	LF LF LF LF	PIB/S2 PIB/PS2 PIB/S2 PIB/S2	  BA	Yes Yes Yes Yes
Laurier Architectural, Inc. 153 boul. Laurier Laurier-Station, QC G0S 1N0 Canada 418-728-2023 IGCC(R)/IGMA(R) (cert#) Laurier (DD/YY)	2559 2629 5151 5152	MC4/PK MC4/PK MC4/PK MC4/PK	U/C2/U U/C2/U U/C2/U U/C2/U	PHSS/PHSS PHSS/PHSS PHF/PHF PHF/PHF	LF/LF LF/LF LF/LF LF/LF	PIB/PS2 PIB/S2 PIB/PS2 PIB/S2	BA BA	Yes Yes Yes Yes
Louisville Plate Glass 4301 Chefs Way Louisville, KY 40218 502-584-6145 LPG IGCC(R)/IGMA(R) 2020	1281 2897	MC4/PK MC4/PK	U/C2 U/C2	AA AA	LF LF	PIB/S2 PIB/PS2		
LTI Smart Glass, Inc. 14 Federico Drive Pittsfield, MA 01201 413.637.5001 LTI- IGCC(R)/IGMA(R)-2020	4904 4930	BC3/MC1/MT BC4/GSLC	U/C2 U/C2	FSF MA	IB LF	RHM PIB/RHM		
M Industria S.A. DE C.V. Motul, Km 10 Parcela 273 Z8 P1/1 Carretera Merida Conkal, Yucatán 97345 Mexico +52-999-930-23-70	5114	BC3/MC1	U/C2	RTP	IB	RTP/S2		Yes

<u>LICENSEE</u>	<u>CERTIFICATION NUMBER</u>	<u>FRAME CONSTRUCTION</u>	<u>SUBSTRATE</u>	<u>SPACER</u>	<u>DESICCANT</u>	<u>SEALANT</u>	<u>INTERNAL COMPONENTS</u>	<u>GCIA</u>
Manna Glass Company 11471 Omar Bn Khatab St. Riyadh, Riyadh 11471 Saudi Arabia +966569415965	5109 5110	BC4/ALLC BC4/ALLC	U/C3 U/C2/U	MA MA	LF LF	PIB /S2 PIB/S2		
Mannix Exterior Wall Systems, Inc. 345 Crooked Hill Road Brentwood, NY 11717 631-231-0800 MANNIX IGCC®/IGMA® 1746 2020	1746	MC4/PK	U/C2	AA	LF	PIB/PU2		
Mid-American Glass 147 S. Sturdevant St. PO Box 3428 Davenport, IA 52808-3428 563-326-6294 Mid American Glass INC IGCC®/IGMA® 20-1	2315	MC4/PK	U/C2	AA	LF	PIB/RHM	BA	Yes
MLC Windows & Glass 2553 23 Mile Road Shelby Township, MI 48316 586-731-1630 MLC IGMA(R)/IGMA(R) 2019	4209 4210	MC4/PK BC4/GSLC	U/C2 U/C2	PHSS MA	LF LF	PIB/PS2 PIB/PS2	BA BA	Yes Yes
Nashville Tempered Glass LLC 1241 Avondale Dr. Hendersonville, TN 37075 615-826-5522 NTGC IGCC(R)/IGMA(R) 2020	3991 4244 4287 5060	BC4/GSLC BC4/GSLC BC4/GSLC BC4	U/C2 U/C1 U/C1 U/C2	MA AA AA RTP	LF LF LF IB	PIB/S2 PIB/S2 PIB/S2 RTP/S2	BA BA BA	   Yes Yes
Ningbo Jianghua Glass Science And Technology Co., Ltd. 88 Haichuan Road Jiangbei District Ningbo, Zhejiang 315000 China 86-0574-87560918	3475	BC4/GSLC	U/C2	AA	LF	PIB/S2		
Northwestern Glass Fab 5301 Industrial Blvd., NE Fridley, MN 55421 763-762-1750 BV IGCC®/IGMA® 2020	1580 4971	BC4/GSLC BC4/GSLC	U/C1 U/C1	MA MA	LF LF	PIB/PU2 PIB/S2	BA BA	
Northwestern Industries, Inc. 2501 Commodore Way Seattle, WA 98199 206-285-3140 NWI-SEA WA IGCC®/IGMA® + DATE & TIME	1635 5041	BC2/MC2/PK/CT BC2/MC2/PK	U/C2/U U/C2	MA/MA PHSS	LF/LF LF	PIB/S2 PIB/S2	BA BA	Yes Yes
Northwestern Industries, Inc. 7595 East 30th Street Yuma, AZ 85365-6532 (928) 726-3555 NWI Yuma, AZ IGCC(R)/IGMA(R) 2020	4754 5194	BC4/GSLC BC4/GSLC	U/C2 U/C2	PHSS MA	LF LF	PIB/S2 PIB/S2		Yes Yes

<u>LICENSEE</u>	<u>CERTIFICATION NUMBER</u>	<u>FRAME CONSTRUCTION</u>	<u>SUBSTRATE</u>	<u>SPACER</u>	<u>DESICCANT</u>	<u>SEALANT</u>	<u>INTERNAL COMPONENTS</u>	<u>GCIA</u>
Novatech Patio Doors Inc. 100, 181e Rue Beauceville, QC G5X 2T1 Canada 418-774-2949 ext. 265 NovaTech YYYY-MM IGCC®/IGMA®	2877	BC3/MC1/MT	U/C2/U	FSF/FSF	IB/IB	HM	BA	Yes
ODL, Changshu ZhongXin Building Materials Co., Ltd. Meili Town Changshu, Jiangsu 215500 China 616-748-5401 ODL Inc.(ZX) IGCC(R)/IGMA(R) 20	3997 4195 4198 5311 5312 5313	MC4/PK BC3/MC1 BC3/MC1 MC4/PK BC3/MC1 BC3/MC1	U/C2 U/C2 U/C2 U/C2 U/C2 U/C2	AA BCS BCS AA BCS BCS	LF IB IB LF IB IB	PIB/PS2 BCS BCS/PS2 PIB/PS2 BCS BCS/PS2	GI GI GI	
ODL, Inc. 215 E. Roosevelt Avenue Zeeland, MI 49464 616-772-9111 ODL INC (Z) IGCC(R)/IGMA(R) 20	1892 3052 4338 5381 5382	BC4/IC BC3/MC1/SS/CT MC4/PK BC4 MC4/PK	U/C1 U/C2 U/C2 U/C2 U/C2	BCS UT AA BCS AA	IB DM LF IB LF	BCS RHM PU2 BCS PU2	BA BA BL BA BA BA	
ODL, Inc., Vidrio Decorativo Occidental S. A. de C. V. Poniente 4 Entre Borte 7 y Gral Pedro Hinojosa Ciudad Industrial Heroica Matamoros, Tamaulipas Mexico 616-772-9111 ODL Inc (V) IGCC®/IGMA® 20	3083 3309 4005 4076 4141 4332 4851 5207 5209 5249 5422	MC4/PK MC4/PK/CT BC3/MC1/ZS/CT BC3/MC1/MT BC3/MC1 BC3/MC1/ZS/CT BC3/MC1 BC3/MC1 BC3/MC1/MT BC3/MC1 BC4	U/C2 U/C2 U/C2 U/C2 U/C2 U/C1/U U/C2 U/C2 U/C2/U U/C2 U/C2	AA AA UT FSF BCS UT/UT BCS BCS UT/UT BCS BCS	LF LF DM IB IB DM/DM IB IB DM/DM IB IB	HM/PU2 PU2 RHM HM BCS/PU2 RHM BCS RHM BCS BCS	GI BA BA BL GI GI BA BL GI BA BA GI	
OKALUX Glastechnik GmbH Am Jospershecklein 1 97828 Marktheidenfeld Altfeld Germany 939-190-00 Okalux + Date +composition+IGCC(R)/IGMA (R)	2656 4702	BC4/GSLC MC4/PK	U/C2 U/C2	SS MA	LF LF	PIB/PS2 PIB/S2		Yes
Oldcastle BuildingEnvelope® 5334 Barthel Industrial Drive, NE Albertville, MN 55301 763-497-3212 OBE 22 IGCC(R)/IGMA(R) 20	4776 4777 5346 5347	BC4/GSLC BC4/GSLC MC4/PK MC4/PK	U/C2 U/C2 U/C2 U/C2	MA PHSS MA PHSS	LF LF LF LF	PIB/S2 PIB/S2 PIB/S2 PIB/S2	BA BA BA BA	Yes Yes Yes Yes
Oldcastle BuildingEnvelope® 1611 S.E. Commerce Avenue Battle Ground, WA 98604 360-816-7777 OBE 73 IGCC(R)/IGMA(R) 20	1537 2403	MC4/PK MC4/PK	U/C2 U/C2	AA PHSS	LF LF	PIB/S2 PIB/S2	BA BA	Yes Yes

<u>LICENSEE</u>	<u>CERTIFICATION NUMBER</u>	<u>FRAME CONSTRUCTION</u>	<u>SUBSTRATE</u>	<u>SPACER</u>	<u>DESICCANT</u>	<u>SEALANT</u>	<u>INTERNAL COMPONENTS</u>	<u>GCIA</u>
Oldcastle BuildingEnvelope® 3601 - 72 Avenue SE Calgary, AB T2C 2K3 Canada 403-279-2544 Oldcastle 93 IGCC(R)/IGMA(R) '20	2703 2725 2878 2879 4700 4767 5310 5321	MC4/PK MC4/PK BC3/MC1/MT MC4/PK BC3/MC1/MT BC3/MC1 MC4/PK BC3/MC1/MT	U/C2/U U/C2/U U/C2/U U/C2/U U/C2/U U/C2/U U/C2/U U/C2/U	SS/SS PHSS/PHSS FSF/FSF AA/AA FSF/FSF FSF/FSF AA/AA FS/FS	LF/LF LF/LF IB/IB LF/LF IB/IB IB/IB LF/LF IB/IB	PIB /S2 PIB /S2 RHM PIB/S2 PIB/S2 PIB/S2 PIB/S2 PIB/S2	BA BA BA BA BA BA BA BA	Yes Yes Yes Yes Yes Yes Yes Yes
Oldcastle BuildingEnvelope® 4161 S Morgan St. Chicago, IL 60609 773-523-8400 OBE 24 IGCC(R)/IGCC(R) '20	1986 4830	MC4/PK MC4/PK	U/C1 U/C3	AA AA	LF LF	RHM PIB/RHM	BA BA	
Oldcastle BuildingEnvelope® 2195 Langstaff Rd. Concord, ON L4K 2B2 Canada 905-660-3809 OLDCASTLE B.E.94IGMA(R)IGCC(R)2020	4450	BC4/GSLC	U/C2/U	MA/MA	LF/LF	PIB/S2		Yes
Oldcastle BuildingEnvelope® 14117 Industrial Park Blvd. Covington, GA 30014 678-212-7700 OBW 42 IGCC(R) IGMA(R) 2020	914	BC4/SSLC	U/C2	MA	LF	PIB/S2	BA	Yes
Oldcastle BuildingEnvelope® 11205 E. 37th Avenue Denver, CO 80239 303-371-5511 OBE 71 IGCC(R)/IGMA(R) '20	2689 3488 3937 5068	MC4/PK/CT MC4/PK/CT MC4/PK/CT BC3/MC1/MT/CT	U/C2/U U/C2 U/C2 U/C2	AA/AA AA PHSS FSF/FSF	LF LF LF IB	PIB/S2 PIB/RHM PIB/S2 RHM	BA BA BA BA	Yes  Yes  
Oldcastle BuildingEnvelope® 6850 Stevenson Blvd. Fremont, CA 94538 510-651-2292 OBE 84 IGCC®/IGMA® 19/20	4336 5127	MC4/PK/CT MC4/PK	U/C2 U/C2	MA PHSS	LF LF	PIB/S2 PIB/S2	BA BA	Yes Yes
Oldcastle BuildingEnvelope® 1101 Fountain Parkway Grand Prairie, TX 75050 972-647-4028 OBE 83 IGCC(R)/IGMA (R) 20	3974 4438 4850 5374	MC4/PK MC4/PK BC3/MC1/MT BC3/MC1/MT	U/C2 U/C2 U/C2 U/C2	MA MA FSF FSF	LF LF IB IB	PIB/S1 PIB/S2 PIB/S2 PIB/S2	BA BA  	 Yes  Yes
Oldcastle BuildingEnvelope® 895 Motor Pkwy. PO Box 18039 Hauppauge, NY 11788-8839 631-234-2200 OLDCASTLE 15 IGCC®IGMA® 2020	4326 4562 5412	MC4/PK MC4/PK MC4/PK	U/C2/U U/C2 U/C2	PHSS/PHSS MA AA	LF/LF LF LF	PIB/S2 PIB/S2 PIB/S2	BA BA BA	Yes Yes  

<u>LICENSEE</u>	<u>CERTIFICATION NUMBER</u>	<u>FRAME CONSTRUCTION</u>	<u>SUBSTRATE</u>	<u>SPACER</u>	<u>DESICCANT</u>	<u>SEALANT</u>	<u>INTERNAL COMPONENTS</u>	<u>GCIA</u>
Oldcastle BuildingEnvelope® 1331 W Sam Houston Pkwy N Houston, TX 77043 713-464-5611 OBE 65 IGCC(R)/IGMA(R) 2020	1137 5121	MC4/PK MC4/PK	U/C2 U/C2	AA AA	LF LF	PIB/S2 PIB/S2	BA BA	 Yes
Oldcastle BuildingEnvelope® 8441 Bearing Dr. Indianapolis, IN 46268 317-876-1155 OBE 29 IGCC(R)IGCC(R) 20	4886 5343 653	MC4/PK MC4/PK MC4/PK/AP	U/C2 U/C2 U/C2	PHSS PHSS MA	LF LF LF	PIB/S2 PIB/S2 PIB/S2	BA BA BA	 Yes Yes Yes
Oldcastle BuildingEnvelope® 5075 275th Street Langley, BC V4W 0A8 Canada 604-607-1300 OBE 91 IGCC(R)/IGMA(R) '20	3740 4256 5229	MC4/PK MC4/PK MC4/PK	U/C2 U/C2/U U/C2/U	PHSS MA/MA PHSS/PHSS	LF LF/LF LF/LF	PIB/S2 PIB/S2 PIB/S2	BA BA BA	 Yes Yes Yes
Oldcastle BuildingEnvelope® 5631 Ferguson Dr. Los Angeles, CA 90022 323-887-6000 Oldcastle 74 IGCC(R)/IGMA(R) 20	3303 3733 4518 5406	MC4/PK/CT MC4/PK/CT MC4/PK BC4	U/C2 U/C2 U/C2 U	MA SS PHSS RTP	LF LF LF IB	PIB/S2 PIB/S2 PIB/S2 RTP/S2	BA BA BA	 Yes Yes Yes Yes
Oldcastle BuildingEnvelope® 17851 Northwest Miami Ct Miami, FL 33169 305-652-3350 OBE 82 IGCC(R) IGMA(R) 20	3580	BC4/GSLC	U/C2	MA	LF	PIB/S2	BA	
Oldcastle BuildingEnvelope® 1500 Glen Ave. Moorestown, NJ 08057 856-234-9222 Oldcastle 12 IGCC(R)/IGCC(R) '20	4868 4869 4976 5383 5384	BC4/GSLC BC3/MC1/MT BC4/GSLC BC4/GSLC BC3/MC1/MT	U/C2 U/C2 U/C2 U/C2 U/C2	AA FS AA AA FSF	LF IB LF LF IB	PIB/S2 PIB/S2 PIB/S1 PIB/S2 PIB/S2		 Yes Yes Yes Yes Yes
Oldcastle BuildingEnvelope® Ampoint Industrial Park 291 "M" Street Perrysburg, OH 43551 419-666-2000 OBE 81 IGCC(R)/IGMA(R) 2020	2642 3262 5174	BC4/SSLC BC4/SSLC BC4	U/C2 U/C2 U/C2	PHSS MA RTP	LF LF IB	PIB/S2 PIB/S2 RTP/S2		  Yes
Oldcastle BuildingEnvelope® 3404 W. Papago Street #1 Phoenix, AZ 85009 602-253-6980 OBE 63 IGCC(R)/IGMA(R) '20	4608 4838	MC4/PK BC3/MC1/MT	U/C2 U/C2	MA FSF	LF IB	PIB/S2 PIB/S2	BA	 Yes Yes
Oldcastle BuildingEnvelope® 1900 Midland Street Rock Hill, SC 29731 803-366-5167 Oldcastle 44 IGCC®/IGMA® 20	3081 5005	BC4/GSLC BC4/GSLC	U/C2 U/C2	MA MA	LF LF	PIB/S2 PIB/RHM	BA BA	

<u>LICENSEE</u>	<u>CERTIFICATION NUMBER</u>	<u>FRAME CONSTRUCTION</u>	<u>SUBSTRATE</u>	<u>SPACER</u>	<u>DESICCANT</u>	<u>SEALANT</u>	<u>INTERNAL COMPONENTS</u>	<u>GCIA</u>
Oldcastle BuildingEnvelope® 5103 Janice Avenue Schofield, WI 54476 715-359-2432	1312	MC4/PK	U/C2/U	AA/AA	LF/LF	PIB/PU2	BA	Yes
Oldcastle 27 IGCC®/IGMA® + date code	1319	MC4/PK	U/C2/U	AA/AA	LF/LF	PIB/S2	BA	Yes
	2583	MC4/PK	U/C2/U	PHSS/PHSS	LF/LF	PIB/S2	BA	Yes
	2647	MC4/PK	U/C2/U	PHSS/PHSS	LF/LF	PIB/PU2	BA	Yes
	3337	MC4/PK	U/C2/U	MA/MA	LF/LF	PIB/PU2	BA	Yes
	3338	MC4/PK	U/C2/U	MA/MA	LF/LF	PIB/S2	BA	Yes
Oldcastle BuildingEnvelope® 10000 N. Harrison Shawnee, OK 74804 405-275-5510	4959	BC4	U/C2	RTP	IB	RTP/S2		Yes
OBE 61 IGCC(R) IGMA(R) '20	5268	BC2/MC2/PK	U/C2	AA	LF	PIB/S2	BA	
Oldcastle BuildingEnvelope® 5115 East Hartford St. Tampa, FL 33619 813-247-3184	3621	MC4/PK	U/C2	MA	LF	PIB/S2	BA	
OBE 43 IGCC(R)/IGMA(R) 20								
Oldcastle BuildingEnvelope® 1700 Daniel Boone Industrial Park Dr. Warrenton, MO 63383 636-456-3452	3878	MC4/PK	U/C2	MA	LF	PIB/S2	BA	Yes
OBE 21 IGCC®/IGMA® 2020	3879 IN	MC4/PK	U/C2/U	MA/MA	LF/LF	PIB/S2		Yes
	4036	MC4/PK	U/C2	PHSS	LF	PIB/S2		Yes
Oldcastle BuildingEnvelope® 30 Cooperative Way Wright City, MO 63390 636-745-3030	2400	BC4/GSLC/CT	U/C2/U	PHSS/PHSS	LF/LF	PIB/S2		Yes
OBE35 IGCC®/IGMA® + date	2893	BC4/GSLC/CT	U/C2/U	MA/MA	LF/LF	PIB/S2		Yes
Oldcastle BuildingEnvelope® Canada Inc. 12755 boul Industriel Pointe-aux-Trembles, QC H1A 4Z6 Canada 514-640-5355	2883	MC4/PK	U/C2/U	AA/AA	LF/LF	PIB/S2		Yes
OLDCASTLE 95 MONTREAL IGCC(R)IGMA (R)2020	2884	MC4/PK	U/C2	PHSS	LF	PIB/S2		Yes
	3856	MC4/PK	U/C2	AA	LF	PIB/S2		Yes
	4855	MC4/PK	U/C2/U	PHSS/PHSS	LF/LF	PIB/S2		Yes
	5342	BC4	U/C2	RTP	IB	RTP/S2		Yes
Oldcastle BuildingEnvelope® Houston Southerland 4822 Southerland Houston, TX 77092 713-353-5800	4240	BC3/MC1/MT	U/C2	FS	IB	PIB/S2		
OBE 65S IGCC(R)/IGMA(R) 20								
Opulux Glass 905 Murray Road East Hanover, NJ 07936 973-795-0105	5062	BC4/GSLC	U/C2	MA	LF	PIB/PS2		
Panjin Truspacer Insulating Glass Material Co., Ltd. 585 Xingsheng Road Dawa Town Panjin, Liaoning 12400 China 86-427-6852078	4665	BC3/MC1	U/U	BCS	IB	BCS/PS2	GI	
	5175	BC3/MC1	U/U	BCS	IB	BCS/PS2		Yes

<u>LICENSEE</u>	<u>CERTIFICATION NUMBER</u>	<u>FRAME CONSTRUCTION</u>	<u>SUBSTRATE</u>	<u>SPACER</u>	<u>DESICCANT</u>	<u>SEALANT</u>	<u>INTERNAL COMPONENTS</u>	<u>GCIA</u>
Patio Enclosures 720 East Highland Road Macedonia, OH 44056 330-468-0700 PE IGCC(R)IGMA(R) exact Date code	1851	BC3/MC1/MT	U/C1	FSF	IB	RHM		
Pella Corporation 2000 Proline Place Gettysburg, PA 17325-8297 717.334.0099 IGCC(R)IGMA(R) PEL G03 + NFRC# + date	2688 4134 4932 5226 IN	BC3/MC1/MT BC3/MC1/MT BC3/MC1/ZS BC4/ZS	U/C2 U/C2 U/C2 U/C2	FSF FSF US US	IB IB DM DM	HM HM RHM RHM/HM	BA BA BA BA	 Yes Yes Yes
Pella Corporation 111 Pella Place Macomb, IL 61455 309-295-1407 1-2 IGCC(R)IGMA(R) serial # NFRC# "date/time"	5020 5021	BC3/MC1/ZS BC4/PLC	U/C2 U/C2	US SS	DM LF	RHM PIB/S1	BA BA	Yes Yes
Pella Corporation 307 Pella Way Murray, KY 42071 270-767-2500 PELLA (date) (time) IGCC®/IGMA® M02	4133 4449 4657 4875 5227 IN	BC3/MC1/MT BC4/PLC/CT BC4/PLC/CT BC3/MC1/ZS BC4/ZS	U/C2 U/C2 U/C2 U/C2 U/C2	FSF SS SS US US	IB LF LF DM DM	HM PIB/S1 PIB/S1 RHM/RHM RHM/HM	BA BA BA BA BA	Yes Yes Yes Yes Yes
Pella Corporation 18600 NE Wilkes Road Portland, OR 97294 503-405-9176 IGCC(R)IGMA(R) CIG-9.x 200402	4078 4103 4289 4656 4879 4880 5326 5327	BC4/PLC BC3/MC1/MT BC4/ZS BC3/MC1/MT BC4 BC4 BC4/AF BC4	U/C2 U/C2 U/C2 U/C2 U/C2 U/C2 U/C2 U/C2	SS FS US FS US US US US	LF IB DM IB DM DM DM DM	PIB/S1 HM RHM HM RHM RHM RHM RHM	BA BA BA BA BA BA  BA	Yes Yes Yes Yes Yes  Yes Yes
Pella Corporation 310 Rockingham Dr. Reidsville, NC 27320 336-496-3325 PELLA V02 (date) (time) IGCC®/IGMA®	5239	BC3/MC1/ZS	U/C2	US	DM	RHM	BA	Yes
Pella Corporation 1500 South Highway 59 Shenandoah, IA 51601 712-246-6324 Pella IGCC®/IGMA® CIG 02.F (date)	4077	BC4/PLC	U/C2	SS	LF	PIB/S1	OI	Yes
Pella Corporation 1800 North Main Avenue Sioux Center, IA 51250 712-722-5609 Pella IGCC(R)IGMA(R) CIG-2 F "serial number" date	3291 4021	BC4/PLC BC4/PLC	U/C2 U/C2	SS SS	LF LF	PIB/S1 PIB/S1	OI OI	Yes Yes



<u>LICENSEE</u>	<u>CERTIFICATION NUMBER</u>	<u>FRAME CONSTRUCTION</u>	<u>SUBSTRATE</u>	<u>SPACER</u>	<u>DESICCANT</u>	<u>SEALANT</u>	<u>INTERNAL COMPONENTS</u>	<u>GCIA</u>
Perficom S.A. DE C.V. AV. Central No. 3 Fracc. Industrial Valle De Oro San Juan Del Rio, Queretaro 76802 Mexico 52-42 72 72 92 32	5014	BC3/MC1	U/C2	BCS	BCS	BCS		Yes
PFG Glass 27413 55th Avenue Langley, BC V4W 3Y1 Canada 1-604-607-4500 PFG Glass IGCC(R)/IGMA(R) + Date	2470 3858 3859	BC3/MC1/MT/CT BC3/MC1/MT BC3/MC1/MT	U/C2/U U/C2/U U/C2/U	FSF/FSF FSF/FSF FSF/FSF	IB/IB IB/IB IB/IB	PIB/S2 HM PIB/HM	BA BA BA	Yes Yes Yes
Pietta Glass Working Srl St. Berevoiesti, 77-79 Valenii De Munte 106400 Romania 0040244280959 PGW/DATE/OTHER INFO	4328 4329	BC4/GSLC BC4/PLC	U/C2 U/C2	AA PHSS	LF LF	PIB/S2 PIB/S2		Yes Yes
Pilkington IGP Sp. z.o.o. Branch Skierniewice, Poland ul. Przemyslowa 4 96-100 Skierniewice Poland 48-601-50-60-51	4188 4388 4389 4390	BC4/GSLC/AP BC4/GSLC BC4/GSLC/AP BC4/GSLC/AP	U/C2 U/C2 U/C2 U/C2	SS PHSS PHSS SS	LF LF LF LF	PIB/S2 PIB/S2 PIB/PU2 PIB/PU2		Yes Yes Yes Yes
Precision Glass Industries 2330 Peyton Road Houston, TX 77032 281-671-5221	5078	BC3/MC1/MT	U/C2	FS	IB	PIB/S2		
Prelco Inc. 94 Boulevard Cartier Postal Box 338 Riviere-du-loup, QC G5R 3Y9 Canada 418-862-2274 PRELCO INC IGCC(R)/IGMA(R) 20	1388 2270 2458	BC4/GSLC BC4/GSLC BC4/GSLC	U/C2 U/C2 U/C2	AA PHSS SS	LF LF LF	PIB/S2 PIB/S2 PIB/S2		Yes Yes Yes
Prelco MTL Inc. 3740 Dollard-Desjardins Montreal, QC H1B 5X2 Canada 514-640-1122 PRELCO MTL IGCC(R)/IGMA(R) 2020	2491 3535 4746	BC4/GSLC BC4/GSLC BC4/GSLC	U/C2/U U/C2 U/C2	AA/AA SS PHSS	LF/LF LF LF	PIB/S2 PIB/S2 PIB/S2		Yes Yes Yes

<u>LICENSEE</u>	<u>CERTIFICATION NUMBER</u>	<u>FRAME CONSTRUCTION</u>	<u>SUBSTRATE</u>	<u>SPACER</u>	<u>DESICCANT</u>	<u>SEALANT</u>	<u>INTERNAL COMPONENTS</u>	<u>GCIA</u>
PRESS GLASS SA	3742	BC4/SSLC/AP	U/C2	SS	LF	PIB/PS2		Yes
ul. Cielmicka 44	3756	BC4/PLLC/AP	U/C2	PHSS	LF	PIB/PS2		Yes
43-100 Tychy, Poland	3758	BC4/SSLC/AP	U/C2	GS	LF	PIB/PS2		Yes
Poland	3760	BC4/SSLC/AP	U/C2	MA	LF	PIB/PS2		Yes
48-32-788-11-00	4157	BC4/SSLC/AP	U/C2	MA	LF	PIB/S2		Yes
PRESS GLASS IGCC (R)/IGMA(R), Date,	4159	BC4/PLC/AP	U/C2	PHSS	LF	PIB/S2		Yes
time, order number	4161	BC4/SSLC/AP	U/C2	SS	LF	PIB/S2		Yes
	4162	BC4/SSLC/AP	U/C2	GS	LF	PIB/S2		Yes
	4703	MC4/AF	U/C2	FSF	IB	PIB/PS2		
	4705	MC4/AF	U/C2	FSF	IB	PIB/S2		Yes
PRESS GLASS SA	3813	BC4/SSLC/AP	U/C2	MA	LF	PIB/PS2	BA	Yes
Geodetow 4	3814	BC4/PLC/AP	U/C2	PHSS	LF	PIB/PS2	BA	Yes
Radomsko 97-500	4147	BC4/SSLC/AP/PT	U/C2	MA	LF	PIB/S2	BA	Yes
Poland	4154	BC4/PLLC/AP/PT	U/C2	PHSS	LF	PIB/S2	BA	Yes
48-44-685-87-00	4156	BC4/SSLC/AP	U/C2	GS	LF	PIB/S2	BA	Yes
PRESS GLASS IGCC(R)/IGMA(R), Date,	5023	BC4/SSLC/AP	U/C2	SS	LF	PIB/PS2	BA	Yes
time, order number	5024	BC4/SSLC/AP	U/C2	GS	LF	PIB/PS2	BA	Yes
Press Glass, Inc.	5397	BC4/GSLC	U/C2	MA	LF	PIB/S2		Yes
Commonwealth Crossing Pkwy 1000	5398	BC4/GSLC	U/C2	PHSS	LF	PIB/S2		Yes
Ridgeway, VA 24148	5399	BC4/GSLC	U/C2	SS	LF	PIB/S2		Yes
336-932-3666								
Press Glass VA IGMA(R)/IGCC(R) 2020								
Press Glass, Inc.	3627	BC4/SSLC	U/C2	PHSS	LF	PIB/S2		Yes
8901 US Highway 220 Bypass	4604	BC4/SSLC	U/C2	MA	LF	PIB/S2		Yes
PO Box 938	5171	BC4/SSLC	U/C2	PHSS	LF	PIB/S2		Yes
Stoneville, NC 27048								
336-573-2393								
Press Glass IGCC(R)/IGMA(R) 2019								
Price Mechanical Limited	4765	BC3/MC1/MT	U/U	FSF	IB	RHM		
404 Egesz St								
Winnipeg, MB R2R 1X5								
Canada								
204-631-0136								
PRL Glass Systems	2905	MC4/PK	U/C2	MA	LF	PIB/PS2	BA	
13644 E Nelson Ave	2906	MC4/PK	U/C2	MA	LF	PIB/S2	BA	
City of Industry, CA 91746								
626-961-5890								
Procesadora De Jalisco S.A. DE C.V. -	4680	BC4/GSLC	U/C3	UT	DM	RHM		Yes
Queretaro	4681	BC4/SSLC	U/U	AA	LF	PIB/S2		
Yaquis 10								
Nuevo Parque Industrial								
San Juan del Rio, Queretaro 76809								
Mexico								
52 1427 121 0224								

<u>LICENSEE</u>	<u>CERTIFICATION NUMBER</u>	<u>FRAME CONSTRUCTION</u>	<u>SUBSTRATE</u>	<u>SPACER</u>	<u>DESICCANT</u>	<u>SEALANT</u>	<u>INTERNAL COMPONENTS</u>	<u>GCIA</u>
Procesadora de Jalisco, S.A. DE C.V. Pedro Martinez Rivas #728 Col Parque Industrial Belenes Norte Zapopan, Jalisco 45150 Mexico (01 33) 3342 7979 CC2 5004 IGCC®/ IGMA® (year)	5004	BC4/SSLC	U/C2	MA	LF/LF	PIB/S2		
Productos De Valor Agregado en Cristal S.A. de C.V. Rio de los Remedios No. 1 Col San Juan Ixhuatepec Tlalnepantla Mexico 52-55-5227-6000/6055	4884	MC4/PK	U/C2	MA	LF	PIB/S2		
ProTemp Glass, Inc. 360 Applewood Crescent Concord, ON L4K 4V2 Canada 905-760-0701 IGCC®/IGMA® mm/dd/yyyy Protemp	4840	BC4/GSLC	U/C2	PHSS	LF	PIB/PS2		Yes
Pulp Studio, Inc. 2100 West 139th Street Gardena, CA 90249 310-815-4999	3589	MC4/PK	U/C2	SS	LF	PIB/S1		
Qatar Glass Industries Street 53 Gate No 7 Industrial Area Doha Qatar 97444605522 Qatar Glass Industries-QGI IGCC(R)/IGMA (R) YY/3672	3672	BC4/ALLC	U/C3	MA	LF	PIB/S2		
Qinhuangdao Allide Art Glass Co., Ltd. 3 Miluojiang Road Economic & Technical Development Zone Qinhuangdao, Hebei 066004 China 86-335-8503726	3092	MC4/PK	U/U	AA	LF	PIB/PS2	BL	
Qinhuangdao High Tech Energy Saving Dorwin Co., Ltd. 1 Haihe Road E&T Development Zone Qinhuangdao City, Hebei 066004 China 00863358016100	2595 2596 4140	BC3/MC1 MC4/PK MC4/PK	U/U U/C2 U/C2/U	BCS AA AA/AA	IB LF LF/LF	BCS/PS2 PIB/PS2 PIB/PS2	GI BL BA BL	  Yes

<u>LICENSEE</u>	<u>CERTIFICATION NUMBER</u>	<u>FRAME CONSTRUCTION</u>	<u>SUBSTRATE</u>	<u>SPACER</u>	<u>DESICCANT</u>	<u>SEALANT</u>	<u>INTERNAL COMPONENTS</u>	<u>GCIA</u>
Qinhuangdao Rongsheng Glass Processing Co., Ltd. No. 3 Street, Sanjie Cunxi, Yanheying Town Lulong County Qinhuangdao, Hebei 066400 China 86.335.7179566 Rongsheng IGCC@/IGMA® '20	4098	BC3/MC1	U/C3	BCS	IB	BCS/PS2	GI	Yes
	4572	BC3/MC1	U/C3	BCS	IB	BCS/PS2	GI	
	4671	BC3/MC1	U/C3	BCS	IB	BCS	GI	
	4672	MC4/PK	U/C3	MA	LF	PIB/PS2	GI	
Qinhuangdao Shucheng Energy Saving Technology Co.,Ltd 4 Qilianshan Road Economic & Technical Development Zone Qinhuangdao, Hebei 066000 China 86-335-8503784 RSL IGCC/IGMA 4543×120	4543	MC4/PK	U/C2	MA	LF	PIB/PS2	BL	Yes
	2594	BC3/MC1	U/U	BCS	IB	BCS/PS2	GI	
	4495	MC4/PK	U/C3	AA	LF	PIB/PS2	BA	
	4561	MC4/PK	U/U	AA	LF	PIB/PS2	GI	
Qinhuangdao Xinhua Glass Processing Ind. Co., Ltd. No. 14 Huashan Road Economic and Technical Development Zone Qinhuangdao, Hebei 066004 China 335-850-3784 XH GLASS PLANT IGCC/IGMA ASTM E2190 2020 03	4575	BC3/MC1	U/C3	BCS	IB	BCS/PS2	GI	
	4301	BC3/MC1	U/C3	BCS	IB	BCS/PS2	GI	Yes
	4490	MC4/PK	U/C3	AA	LF	PIB/PS2	BA	Yes
	4795	BC3/MC1	U/C3	BCS	IB	BCS/PS2	GI	Yes
Qinhuangdao Zhenhong Door and Window Co., Ltd. Fan Nan Village, Liushouying Town FuNing County Qinhuangdao 066301 China 86-13785999021	5142	BC4/GSLC	U/C2	PHSS	LF	PIB/PS2		
	3860	BC4/SSLC	U/C2	PHSS	LF	PIB/PS2		Yes
	4247	BC4/ALLC	U/U	MA	LF	PIB/S2		
Quest USA, Inc. 1720 S. Jupiter Rd. Garland, TX 75042 888-851-8588								
Quest Window Systems 6811 Goreway Drive Mississauga, ON L4V 1L9 Canada 905-851-8588 QUEST WINDOWS IGCC(R)/IGMA(R) 2019								
Reem Emirates Aluminum & Glass ICAD-1 Musafah PO Box 36863 Abu Dhabi United Arab Emirates 0097125994301								

<u>LICENSEE</u>	<u>CERTIFICATION NUMBER</u>	<u>FRAME CONSTRUCTION</u>	<u>SUBSTRATE</u>	<u>SPACER</u>	<u>DESICCANT</u>	<u>SEALANT</u>	<u>INTERNAL COMPONENTS</u>	<u>GCIA</u>
Reflex d.o.o. Podgrad 4 Gornja Radgona 9250 Slovenija 00-386256-4503	4695 4696	BC4/SSLC/AP BC4/SSLC/AP	U/C2 U/C2	PHSS PHSS	LF LF	PIB/PS2 PIB/S2		Yes Yes
Regalead Ltd. Unit B, Burnfoot Industrial Estate Hamilton Road Hawick, Scotland TD9 8SL United Kingdom 004 161 946 2142 REGALEAD IGCC(R)/IGCC(R) + YEAR	3911	BC3/MC1/MT	U/C1	FSF	IB	HM		Yes
SAAND Inc. 250 Brockport Dr. Toronto, Ontario, ON M9W5S1 Canada 4167982345 Saand Inc. IGCC(R)/IGMA(R) 2020	3724 4257 4639	BC4/PLC BC4/PLC BC4/PLC	U/C1 U/C2 U/C2	SS MA PHSS	LF LF LF	PIB/S2 PIB/S2 PIB/S2		Yes Yes Yes
SAGE Electrochromics Inc. Two Sage Way Faribault, MN 55021 507-331-4848 SageGlass(R)SAINT-GOBAIN IGCC(R)IGMA (R) 20	4954	BC4/PLC/SP/CT	U/C2/U	SS/SS	LF/LF	PIB/S2	OI	Yes
Saint-Gobain India Private Limited Plot No. A-1 Cipcot Industrial Park Sriperumbudur, Tamilnadu India 919840509386	4653 4669	BC4/GSLC BC4/GSLC	U/C3 U/C3/U	AA MA/SS	LF LF/LF	PIB/S2 PIB/S2		
Saudi American Glass Company PO Box 8418 Riyadh 11482 Saudi Arabia 01-2651212 SAGCO IGCC®/IGMA® 2020	3274	BC4/SSLC	U/C3	MA	LF	PIB/S2		Yes
Senneca Holdings Inc, (Thermoseal Brand) 5350 Frye Road Irving, TX 75061 214-412-9887	5154	BC3/MC1	U/C2	FSF	IB	HM		Yes
Shandong Jinjing Science & Technology Stock Co., Ltd. Boshan Branch. West of Daqiao Village Economic and Technological Development Zone Boshan District Zibo City, Shandong Province 255200 China 0571-85119627	5183 5184	BC4/GSLC BC4/GSLC	U/C2 U/C2	AA PHSS	LF LF	PIB/S2 PIB/S2		

<u>LICENSEE</u>	<u>CERTIFICATION NUMBER</u>	<u>FRAME CONSTRUCTION</u>	<u>SUBSTRATE</u>	<u>SPACER</u>	<u>DESICCANT</u>	<u>SEALANT</u>	<u>INTERNAL COMPONENTS</u>	<u>GCIA</u>
Shandong Wensheng Glass Technology Co., Ltd. Qingning Industrial Zone Cuizhai Town Jiyang County Jinan City, Shandong Province 250100 China 86-531-84567077	4709 4726	BC4/GSLC BC4/GSLC	U/C2 U/C2	AA AA	LF LF	PIB/S2 PIB/PS2		
Shandong Yaohua Glass Co., Ltd. No. 7 Kaiyuan Road, Licheng Area Jinan City, Shandong Province 250101 China 85-531-8880-2996	4539	BC4/GSLC	U/C2	AA	LF	PIB/S2		
Shanghai Haojing Glass Co., Ltd. 300 Gougyue Road Shanghai, Baoshan District 201901 China +86-021-56391128	4989	BC4/GSLC	U/C2	AA	LF	PIB/S2		Yes
Shanghai Lead Glass Co., Ltd. No. 88 West Heli Rd., Pudong Shanghai 201317 China 18637937146	4903	BC4/GSLC	U/C2	AA	LF	PIB/PS2		
Shanghai SYP Engineering Glass 75 Kangliu Road Pudong New Area Shanghai 201315 China 86-21-38108108 IGCC/IGMA SYP E2019 '20	2523 3231 3232	BC4/GSLC BC4/GSLC BC4/GSLC	U/C2 U/C2 U/C2	AA SS PHSS	LF LF LF	PIB/S2 PIB/S2 PIB/S2		Yes Yes Yes
Shenbo Special Architectural Glass Industrial Co., LTD Macau Industry Zone, Zhangge Village Guanlan Town Shenzhen, Guangdong China 86-852-21173390	2573	BC4/GSLC	U/C2	MA	LF	PIB/S2		
Shengng Mwuh Enterprise Co., Ltd No. 51, Ln. 33 Zhunan Road Renwu District Kaohsiung City 81448 Taiwan 886-7-374-0888	4919	MC4/PLK	U/U	AA	LF	PIB/S2		
Shenzhen Jiayeda Glass Processing Co., Ltd. No. 2 Zone A Tangtou Industrial Area, Shiyan Shenzhen, Guangdong 581000 China 86-13068406800	3123	BC4/GSLC	U/U	AA	LF	PIB/S2		

<u>LICENSEE</u>	<u>CERTIFICATION NUMBER</u>	<u>FRAME CONSTRUCTION</u>	<u>SUBSTRATE</u>	<u>SPACER</u>	<u>DESICCANT</u>	<u>SEALANT</u>	<u>INTERNAL COMPONENTS</u>	<u>GCIA</u>
ShenZhen LiaoYuan Glass Co., Ltd. Liaoyuan Industrial Area, Jinbei Villiage Shiyuan Town, Baoan District Shenzhen, Guangdong 518108 China 86-13410765603	3833	BC4/GSLC	U/C2	MA	LF	PIB/PS2		Yes
Shine Glass Co., Ltd. No. 3-1, Gongye 5th Road Pingzhen City Taoyuan County Taiwan China 886-3-469-1599	4013	MC4/PK	U/C3	AA	LF	PIB/S2		
Shinn Fu Pair Glass Co. No. 1-1, Wen Ming 3 Street Kweishan, Taoyuan, Taiwan China 886-3-3283226	1822	MC4/PK	U/U	AA	LF	PIB/S2		
Sichuan CSG Energy Conservation Glass Co., Ltd. No. 16 Section 2Huanglong Road The Southwest Airport Economic Development Zone Chengdu, Sichuan 610213 China +86 28 85689888	4883	BC4/GSLC	U/C2	AA	LF	PIB/S2		
Sierra Pacific Windows 575 S. Whelen Ave. Medford, WI 54451 (530) 528-3842 SPWM IGCC®/IGMA® order number	4381 5029 5031 5032	BC3/MC1/MT BC3/MC1/MT BC3/MC1/MT BC3/MC1/MT	U/C2/U U/C2 U/C2/U U/C2	FSF/FSF FSF FSF/FSF FSF	IB/IB IB IB/IB IB	RHM RHM HM HM	BA BA BA BA	Yes Yes Yes Yes
Sierra Pacific Windows 1815 Water St. Merrill, WI 54452 715-748-2011 SPWW IGCC(R)/IGMA(R) month julian code	3653 3654 4625 5185 5186 5187	MC4/PK BC3/MC1 BC3/MC1 MC4/PK BC3/MC1 BC3/MC1	U/C2 U/C2 U/C2 U/C2 U/C2 U/C2	AA UT US AA UT US	LF DM DM LF DM DM	PIB/HM HM HM PIB/HM HM HM	BA BA BA BA BA BA	Yes Yes Yes  Yes Yes
Sierra Pacific Windows 11605 Reading Road PO Box 8489 Red Bluff, CA 96080 530-527-9620 SPWM IGCC(R)/IGMA(R) 20	3636 4283 4284 4624 5086 5181	BC3/MC1/MT/CT BC3/MC1/MT/CT BC3/MC1/MT/CT BC3/MC1/MT/CT BC3/MC1/MT/CT BC3/MC1/MT/CT	U/C2 U/C2/U U/C2/U U/C2 U/C2 U/C2/U	FSF FSF/FSF FS/FS FSF FSF FSF/FSF	IB IB/IB IB/IB IB IB IB/IB	RHM RHM RHM RHM RHM RHM	BA BA BA BA BA BA	Yes Yes  Yes Yes Yes
SIGCO, Inc. 48 Spiller Drive Westbrook, ME 04092 207-775-2676 SIGCO IGCC(R)/IGMA(R) Month/Year	2203 3131 5251	MC4/PK MC4/PK MC4/PK	U/C2 U/C2 U/C2	AA PHSS AA	LF LF LF	PIB/S2 PIB/S2 PIB/S2	BA BA BA	Yes Yes Yes

<u>LICENSEE</u>	<u>CERTIFICATION NUMBER</u>	<u>FRAME CONSTRUCTION</u>	<u>SUBSTRATE</u>	<u>SPACER</u>	<u>DESICCANT</u>	<u>SEALANT</u>	<u>INTERNAL COMPONENTS</u>	<u>GCIA</u>
Skyland Insulated Glass Corp. 39-16 23rd Street Long Island City, NY 11101 718-707-0288	4180	BC4/GSLC	U/C1	AA	LF	PIB/S2		
Solar Seal Massachusetts 55 Bristol Dr. #1 South Easton, MA 02375 508-238-0112 Solar Seal MA Prod# IGCC(R)/IGMA(R) Date	4190 4341 4342	MC4/PK MC4/PK MC4/PK	U/C2 U/C2 U/C2	PHSS SS AA	LF LF LF	PIB/S2 PIB/S2 PIB/S2	BA BA BA	Yes  Yes
Southern Wholesale Glass, Inc. 111 Industrial Blvd. Americus, GA 31719 229-928-5656	5027	BC3/MC1	U/C2	FS	IB	HM	BA	
Stanley Glass Co., Ltd. No. 12, Wuxun Street Dawulun Industrial District Keelung 20446 Taiwan 886-2-2432-1288	4020	MC4/PK	U/U	MA	LF	PIB/S2		
Stargrup Cam A.S. Hadimkoy Mah. Mustafa Inan Cad. No: 17 34555 Hadimkoy Arnavutkoy, Istanbul 34960 Turkey 90-212-771-38-18 Stargrup IGCC(R)/IGMA(R) 2019	4548 4549	MC4/PK MC4/PK	U/C2 U/C2	PHSS PHSS	LF LF	PIB/S2 PIB/S2		Yes
Strong Tempering Glass Industry LLC 530B 63rd Street Brooklyn, NY 11220 718-765-0007	4520	MC4/PK	U/C1	AA	LF	PIB/S2		
Sunglas Technics Co., Ltd. No. 16 Fenghuang Dadao National Ecological Industrial Park Danzao Town, Nanhai Foshan City, Guangdong 828216 China 86 18602033514	4961	BC4/GSLC	U/C2	AA	LF	PIB/S2		Yes
Sunview Patio Doors Ltd. 500 Zenway Blvd Woodbridge, ON L4H 0S7 Canada 905-851-1006 Sunview Patio Doors IGCC(R)/IGMA(R) yymmdd time	3013	BC3/MC1/MT	U/C2	FSF/FSF	IB/IB	HM	BA	Yes



<u>LICENSEE</u>	<u>CERTIFICATION NUMBER</u>	<u>FRAME CONSTRUCTION</u>	<u>SUBSTRATE</u>	<u>SPACER</u>	<u>DESICCANT</u>	<u>SEALANT</u>	<u>INTERNAL COMPONENTS</u>	<u>GCIA</u>
Suzhou Taifeng Glass Decoration Co. Ltd No. 9 Jing'er Road, Development Zone Taicang, Jiangsu 215400 China 0086-512-53553995 Not used	3003 3808	MC4/PK BC3/MC1	U/C2 U/C2	AA BCS	LF IB	PIB/PS2 BCS	GI GI	
Syracuse Glass Company, LLC 1 General Motors Drive PO Box 381 Syracuse, NY 13206 315-437-9971 SGC IGCC(R)/IGMA(R) 20	4371 4934 IN 5046 5096 IN 823 828	BC4/SSLC MC4/PK BC4/SSLC MC4/PK BC4/GSLC BC4/GSLC	U/C2 U/C2 U/C2 U/C2 U/C2 U/C2	PHSS AA PHSS AA AA AA	LF LF LF LF LF LF	PIB/S2 PIB/S2 PIB/PS2 PIB/S2 PIB/PS2 PIB/S2	BA OI BA BA BA BA OI	Yes Yes Yes Yes Yes Yes
Tai Shan City Da Heng Art Glass Ltd. 1 Toi Hok Road, South Industrial Zone Shui Bu Town Tai Shan, Guangdong 529000 China 86-750-5456889 Taishan City DaHeng IGCC@/IGMA@ 2020	2534	BC3/MC1	U/U	BCS	IB	BCS	GI	
Taicang Yaohua Glass Co., LTD RM 1104, 62 Xiyang Road Pudong Shanghai 200126 China 86-21-58454541	4631 4632	BC4/GSLC BC4/GSLC	U/C2 U/C2	AA AA	LF LF	PIB/S2 PIB/PS2		
Taiwan Glass Industry Corp. No. 261, Sec. 3, Nanking E. Road Taipei, Taiwan 105 China 886-2-27130333	2053 3805	MC4/PK MC4/PK	U/C2 U/C2	AA AA	LF LF	PIB/S2 PIB/S2		
Technical Glass & Aluminum Co. L.L.C. New Industrial Area Doha, Qatar 24442 Qatar +974-4460448 N/A	5124	BC4/ALLC	U/U	MA	LF	PIB/S2		
Tecnoglass S.A.S. Avenida Circunvalar a 100 mts de la Via 40 Barrio Las Flores Barranquilla Colombia 57 5 373 4000 Tecnoglass SA/IGCC@/IGMA@(#) ASTME 2190 CBA(Fab date)	1393 1813 2683 4757 4941 4942 4943	BC4/SSLC BC4/SSLC BC4/SSLC BC3/MC1 BC4/SSLC BC4/SSLC BC4/SSLC	U/C2 U/C2 U/C2 U/C2 U/C2 U/C2 U/C2	MA MA SS FSF MA MA SS	LF LF LF IB LF LF LF	PIB/PS2 PIB/S2 PIB/S2 PS2 PIB/S2 PIB/S2 PIB /S2		Yes Yes Yes Yes Yes Yes Yes

<u>LICENSEE</u>	<u>CERTIFICATION NUMBER</u>	<u>FRAME CONSTRUCTION</u>	<u>SUBSTRATE</u>	<u>SPACER</u>	<u>DESICCANT</u>	<u>SEALANT</u>	<u>INTERNAL COMPONENTS</u>	<u>GCIA</u>
Tecnovidrio S.A. de C.V. Cafetal 240 Colonia Granjas Mexico Delegacion Iztacalco, Mexico City 08400 Mexico 52-55-3000-2000 Grupo Tecnovidrio IGCC®/IGMA® 3754 (year)	3754	BC4/SSLC	U/C2	AA	LF	PIB/S2		
Temp Glass Inc. 12 Zane Grey El Paso, TX 79906 915-274-1374 Temp Glass IGCC(R)/IGMA(R) 20	4848	BC4/GSLC	U/C2	AA	LF	PIB/S2		
Tempco Glass 131-10 Maple Ave. Flushing, NY 11355 718-461-6888 None	4230	MC4/PK	U/C2	AA	LF	PIB/S2	BA	Yes
	4496	MC4/PK	U/C2	MA	LF	PIB/S2	BA	Yes
	4939	MC4/PK	U/C2	PHSS	LF	PIB/S2	BA	Yes
Templados Del Centro SA DE C.V. Carretera Irapuato-Silao km 13.5 Irapuato, Guanajuato Mexico 00152462 800 60 60 Templados del Centro/IGCC®/IGMA® YY	4809	BC4/SSLC	U/U	AA	LF	PIB/S2		
	4810	BC4/SSLC	U/C2	AA	LF	PIB/S2		
TG Taicang Architectural Glass Co. Ltd 9 ShenJiang Road Gangkou Area Taicang City, Jiangsu China 86-512-57440001 TG Taicang IGCC®/IGMA® 2020	4972	BC4/GSLC	U/C2/U	PHSS/PHSS	LF/LF	PIB/S2		Yes
	4973	BC4/GSLC	U/C2	AA	LF	PIB/S2		Yes
Thai-German Specialty Glass Co., Ltd. 63 Moo 6 Banga-Trad Road, (Km32) Banragard Bangbo Samutprakarn 10560 Thailand 662-294-6287	2059	BC4/ALLC	U/C1	AA	LF	PIB/PS2		
	2067	BC4/ALLC	U/C1	AA	LF	PIB/S2		
Thermafix A.J. Inc. 1232, Route 111 E Amos, QC J9T 3A1 Canada 418-561-3073 PO#Therma ABI (YYYY/MM) IGCC®/IGMA®	5113	MC4/PK	U/C3/U	PHSS/PHSS	LF/LF	PIB/RHM	BA	Yes
	5222	MC4/PK	U/C3/U	PHF/PHF	LF/LF	PIB/RHM	BA	Yes
	5233	MC4/PK	U/C3/U	PHSS/PHSS	LF/LF	PIB/RHM	BA	Yes
Thermafix A.J. Inc. 63 Chemin St. Laurent Baie St. Paul, QC G3Z 2L5 Canada 418.668.6131 HERMA BSP (YYYYMMDD) IGCC/IGMA (DIM.) (Unit Spec.)	3764	MC4/PK	U/C3/U	PHSS/PHSS	LF/LF	PIB/RHM	BA	Yes
	5015	MC4/PK	U/C3/U	PHF/PHF	LF/LF	PIB/RHM	BA	Yes
	5144	MC4/PK	U/C2/U	PHF/PHF	LF/LF	PIB/RHM	BA	Yes
	5191	MC4/PK	U/C3/U	PHSS/PHSS	LF/LF	PIB/RHM	BA	Yes

<u>LICENSEE</u>	<u>CERTIFICATION NUMBER</u>	<u>FRAME CONSTRUCTION</u>	<u>SUBSTRATE</u>	<u>SPACER</u>	<u>DESICCANT</u>	<u>SEALANT</u>	<u>INTERNAL COMPONENTS</u>	<u>GCIA</u>
Thermo BSL 141 Chemin des Raymond Riviere-du-loup, QC G5R 4L9 Canada 418-862-2611 Thermos BSL DD/MM/YY IGCC(R)/IGMA(R) lepage order code	3001	MC4/PK	U/C2/U	PHSS/PHSS	LF/LF	PIB/RHM	BA	Yes
Thompson I.G. LLC. 3196 Thompson Rd. Fenton Operation Fenton, MI 48430 810-629-9558 TIG 2020 IGCC(R)/IGMA(R)	3420 4344 4801 4977	MC4/PK BC4/SSLC BC4/SSLC MC4/PK	U/C2 U/C2 U/C2 U/C2	PHSS SS SS PHSS	LF LF LF LF	PIB/PS2 PIB/PS2 PIB/S2 PIB/S2	BA BA BA BA	Yes Yes Yes Yes
Tianjin CSG Energy Conservation Glass Co., Ltd No. 12 Quanfeng Road Tianjin New Technology Industrial Park Zones Tianjin China 86-150-22345565 CSG IGCC®/IGMA® 2020	2276 2336 4599 4600 5132 5165	BC4/GSLC BC4/GSLC BC4/GSLC BC4/GSLC BC4/GSLC BC4/GSLC	U/C2 U/C2 U/C2 U/C2 U/C2 U/C2/U	AA AA SS PHSS PHSS PHSS/PHSS	LF LF LF LF LF LF/LF	PIB/S2 PIB/PS2 PIB/S2 PIB/S2 PIB/S2 PIB/S2		Yes Yes   Yes Yes
Tianjin Northglass Industrial Technical Co., Ltd South of Baozhong Avenue West of Tianxing Road Energy Conservation & Environmental Protection Tianjin 301800 China 86-022-59281102 NorthGlass ASTM E2190 '20 IGCC®/IGMA®	3862 4999	BC4/SSLC BC4/SSLC	U/C2 U/C2	PHSS PHSS	LF LF	PIB/S2 PIB/S2		Yes
Tianjin SYP Engineering Glass Co., Ltd. 1 Huatai Road Beichen District Tianjin 300409 China 86-22-86880204 TSYP IGCC®/IGMA® E2190 '20	2525 3026 3227	BC4/GSLC BC4/GSLC BC4/GSLC	U/C2 U/C2 U/C2	AA SS PHSS	LF LF LF	PIB/S2 PIB/S2 PIB/S2		Yes Yes Yes
Tower Insulating Glass LLC. 2485 Charles Court Bellmore, NY 11710-2773 516-887-3300 Tower IG IGCC(R)/IGMA(R) 2020	1470 5173	MC4/PK BC3/MC1/MT	U/C3 U/C3	AA FS	LF IB	PIB/S1 HM	BA BA	Yes Yes
Tristar Glass, Inc. 1120 West Main Pkwy Catoosa, OK 74015 918-392-9678 Tristar IGCC(R)/IGCC(R) '20	2627	BC4/GSLC	U/C2	MA	LF	PIB/S2	BA	Yes

<u>LICENSEE</u>	<u>CERTIFICATION NUMBER</u>	<u>FRAME CONSTRUCTION</u>	<u>SUBSTRATE</u>	<u>SPACER</u>	<u>DESICCANT</u>	<u>SEALANT</u>	<u>INTERNAL COMPONENTS</u>	<u>GCIA</u>
Tristar Glass, Inc. 1790 Westpark Drive Grand Prairie, TX 75050 817.262.5960 Tri Star DFW IGCC®/IGMA® '20	3594	BC4/GSLC	U/C2	MA	LF	PIB/S2		
Tristar Glass, Inc. 19522 Aldine Westfield Houston, TX 77073 281-960-6840 Tristar Hou IGCC(R)/IGMA(R) 20	4316	BC4/GSLC	U/C2	MA	LF	PIB/S2		
Trulite Glass and Aluminum Solutions 11950 E. 33rd Ave. Aurora, CO 80010 303-340-4290 W-31 IGCC(R)/IGMA(R) 2020	4885	MC4/PK/CT	U/C2	MA	LF	PIB/PS2	BA	
Trulite Glass and Aluminum Solutions 100 Business Center Drive Cheswick, PA 15024 800-232-9050 Trulite W43 IGCC(R)IGMA(R) 2020	3527	BC4/GSLC	U/C2	PHSS	LF	PIB/S2	BA	Yes
	4636	BC4/GSLC	U/C2	MA	LF	PIB/S2		Yes
Trulite Glass and Aluminum Solutions 19430 E. San Jose Ave. City of Industry, CA 91748 800-774-4224 Trulite W47 IGCC®/IGMA® 2020	4364	MC4/PK	U/C2	MA	LF	PIB/S2	BA	Yes
	4418	MC4/PK	U/C2	PHSS	LF	PIB/S2	BA	Yes
	4532	MC4/PK	U/C2	MA	LF	PIB/S2	BA	Yes
Trulite Glass and Aluminum Solutions 4400 Cambridge Rd. Fort Worth, TX 76155 817-785-1220 IGCC®/IGMA® TruLite W35 2020	4516	MC4/PK	U/C2	MA	LF	PIB/S2	BA	Yes
Trulite Glass and Aluminum Solutions 3333 Holly Hall Houston, TX 77021 713-747-5430 Trulite W46 IGCC(R)/IGMA(R) 2020	4564	MC4/PK	U/C2	MA	LF	PIB/S2	BA	
Trulite Glass and Aluminum Solutions 7701 W. New York St. Indianapolis, IN 46214 800-876-0646 Trulite W-14 IGCC(R)/IGMA(R) 2020	2002	BC4/GSLC	U/C2	AA	LF	PIB/S2	BA	
Trulite Glass and Aluminum Solutions 2522 Westcott Blvd. Knoxville, TN 37931 865-691-2040 Trulite W63 IGCC(R)IGMA(R)2020	2220	MC4/PK	U/C2	MA	LF	PIB/S2	BA	Yes
Trulite Glass and Aluminum Solutions 1513 North A St. Las Vegas, NV 89106 702-385-3095 None	2368	MC4/PK/CT	U/C2	AA	LF	PIB/S2	BA	

<u>LICENSEE</u>	<u>CERTIFICATION NUMBER</u>	<u>FRAME CONSTRUCTION</u>	<u>SUBSTRATE</u>	<u>SPACER</u>	<u>DESICCANT</u>	<u>SEALANT</u>	<u>INTERNAL COMPONENTS</u>	<u>GCIA</u>
Trulite Glass and Aluminum Solutions 660 Campbell Court Lithia Springs, GA 30122 770-434-2041 Trulite W74 IGCC(R)IGMA(R)2020	4488	BC4/GSLC	U/C2	MA	LF	PIB/S2		
	4489	BC4/GSLC	U/C2	SS	LF	PIB/S2		
	4697	BC4/GSLC	U/C2	MA	LF	PIB/PS2		
Trulite Glass and Aluminum Solutions 5700 South Moreland Road New Berlin, WI 53155 800-242-2071 IGCC(R)/IGMA(R) Trulite W23 2020	4536	BC4/ALLC	U/C2	MA	LF	PIB/S2		Yes
	4820	BC4/GSLC	U/C2	AA	LF	PIB/S2		Yes
Trulite Glass and Aluminum Solutions 3320-B Maggie Blvd. Orlando, FL 32811 800-367-7211 IGCC(R)/IGMA(R) Trulite W-04 2020	5358	MC4/PK	U/C2	MA	LF	PIB/S2	BA	
	4120	MC4/PK	U/C2	MA	LF	PIB/S2	BA	
Trulite Glass and Aluminum Solutions 1825 S. 43rd Avenue Phoenix, AZ 85009 800-854-8022 Trulite W30 IGCC(R)/IGMA(R) 2020	5034	MC4/PK	U/C2	AA	LF	PIB/S2	BA	
	3935	MC4/PK/CT/	U/C2	MA	LF	PIB/S2	BA	
Trulite Glass and Aluminum Solutions 1655 South Awl Circle Salt Lake City, UT 84104 801-656-1660 Trulite W34 IGCC(R)/IGMA(R) 19	2355	BC4/GSLC/	U/C2	MA	LF	PIB/S2	BA	
	2032	BC4/GSLC	U/C1/U	AA/AA	LF/LF	PIB/S2		Yes
Trulite Glass and Aluminum Solutions 20 Royal Group Crescent Woodbridge, ON L4H 1X9 Canada 905-670-7040 Trulite W90 IGCC(R) IGMA(R) 2020	2295	BC4/GSLC	U/C2/U	SS/SS	LF/LF	PIB/S2		Yes
	3806	BC4/GSLC	U/C2/U	PHSS/PHSS	LF/LF	PIB/S2		Yes
Trulite Glass and Aluminum Solutions 285 Northbrook Drive Youngsville, NC 27596 919-435-3050 Trulite W20 IGCC®/IGMA® 2020	1647	MC4/PK	U/C2	AA	LF	PIB/S2		
	4714	MC4/PK	U/C2	AA	LF	PIB/S2		Yes
	5301	MC4/PK	U/C2	MA	LF	PIB 29/S2		Yes
	5341	BC4	U/C2	TP	IB	TP/HM		Yes
TSY-Fong Glass Co., Ltd 83-1 Jiasing Road Wanluan Township Pintung County Taiwan 923 China 886-8-7835-002	3170	MC4/PLK	U/U	AA	LF	PIB/S2		Yes

<u>LICENSEE</u>	<u>CERTIFICATION NUMBER</u>	<u>FRAME CONSTRUCTION</u>	<u>SUBSTRATE</u>	<u>SPACER</u>	<u>DESICCANT</u>	<u>SEALANT</u>	<u>INTERNAL COMPONENTS</u>	<u>GCIA</u>
TVITEC	5118	MC4/PK	U/C2	AA	LF	PIB/S2		Yes
Calle Vitoria 38	5119	MC4/PK	U/C2	AA	LF	PIB/PU2		Yes
Quijorna, Madrid 28693	5120	MC4/PK	U/C2	PHSS	LF	PIB/S2		Yes
Spain								
+34-915 670 896								
ISOLAR IGCC(R)/IGMA(R) + Date								
Unicel Architectural Corp.	3941	MC4/PK	U/C1	PHSS	LF	PIB/S2	BL	Yes
2155 Fernand Lafontaine	4563	MC4/ALK	U/C1	MA	LF	PIB/S2	BL	Yes
Longueuil, QC J4G 2J4								
Canada								
450-670-6844x233								
Vision Control IGMA(R)/IGCC(R) Month/year								
Uniglass	5033	BC4/ALLC	U/C3	AA	LF	PIB/S2		
4636 Al Marwa - Al Mishal								
Unit No. 2								
PO. Box 40179								
Riyadh 11499								
Saudi Arabia								
+9665471446								
UNIGLASS IGCC(R)/IGMA(R) 2020/5033								
Union Glass s.r.l.	4512	BC4/SSLC/AP	U/C2/U	AA/AA	LF/LF	PIB/PS2		Yes
Via Pasubio 52	4514	BC4/SSLC/AP	U/C2/U	AA/AA	LF/LF	PIB/S2		Yes
Villafranca di Verona (VR) , Verona 37069	4748	BC4/SSLC/AP	U/C2/U	PHSS/PHSS	LF/LF	PIB/S2		Yes
Italy	4749	BC4/SSLC/AP	U/C2/U	PHSS/PHSS	LF/LF	PIB/PS2		Yes
0039.0422.86.12.35								
Union Glass + date + IGCC(R)/IGMA(R)								
United Plate Glass Co., Inc.	1513	BC4/GSLC	U/C2	MA	LF	PIB/PU2		Yes
108 Grundman Drive	4011	BC3/MC1/MT	U/C2	FS	IB	PIB	BA	Yes
Butler, PA 16001	4699	BC4/GSLC/IC	U/C2	MA	LF	PIB/S2	BA	Yes
800-772-7783	5072	BC4/GSLC/IC	U/C2	MA	LF	PIB/PS2	BA	Yes
UPG IGCC(R)/IGMA(R) 2020								
United Plate Glass Company of Charlotte	3992	MC4/PK	U/C2	MA	LF	PIB/PU2	BA	
1104 Lincoln County Parkway								
Lincolnton, NC 28092								
828-970-6110								
UPG & the date								
Unitex Glass Chengdu Co., Ltd	4436	BC4/GSLC	U/U	AA	LF	PIB/S2		
1 Second Section Street								
Yingbin, Jintang								
Chendu, Sichuan 610042								
China								
86-592-6215300								
Val y Val SA de CV	4948	BC4/SSLC	U/C2	AA	LF	PIB/S2		
Av. Framboyanes Lote 19 Manzana 6								
Cd. Industrial Bruno								
Pagliari								
Heroica Veracruz, Veracruz 91697								
Mexico								
52-229-9811036								

<u>LICENSEE</u>	<u>CERTIFICATION NUMBER</u>	<u>FRAME CONSTRUCTION</u>	<u>SUBSTRATE</u>	<u>SPACER</u>	<u>DESICCANT</u>	<u>SEALANT</u>	<u>INTERNAL COMPONENTS</u>	<u>GCIA</u>
Velocity an Apogee Company 4651 Clover Haven Street Dallas, TX 45227 469-701-6647 Velocity IGCC(R)/IGMA(R) 8/2020	5195	BC4	U/C2	RTP	IB	RTP/S2		Yes
VELUX America LLC PO Box 5001 Greenwood, SC 29648-5001 864-941-5309 Velux.com IGCC@/IGMA@ (week)	2035	BC4/PLC	U/C2	SS	LF	PIB/S1		Yes
Vetrodomus SpA Via Giovanni Bormioli n°48 Brescia, Brescia 25135 Italy 390303363005 Vetrodomus SpA + date + IGCC(R)/IGMA(R)	4491 4492 5087	BC4/SSLC BC4/SSLC BC4/SSLC	U/C3 U/C3 U/C3	PHSS PHSS AA	LF LF LF	PIB/S2 PIB/PS2 PIB/S2		Yes Yes Yes
View Inc. 12380 Kirk Road Olive Branch, MS 38654 662-892-3415 View, Inc. OB IGCC(R)/IGMA(R) '20	3934	BC3/MC1/MT/SP	U/C2	FS	IB	PIB/S2		Yes
Vinyl Window Designs Ltd. 550 Oakdale Road North York, ON M3N 1W6 Canada 416-741-7820 Vinyl Window designs Ltd IGCC(R)/IGMA(R) Date	2521 4519 5025	BC3/MC1/SS BC3/MC1/MT BC3/MC1/MT	U/C2/U U/C2 U/C2	US/US FSF FS	DM/DM IB IB	RHM PIB/S2 RHM	BA BA BA	Yes Yes Yes
Viracon Inc. 800 Park Drive PO Box 990 Owatonna, MN 55060 507-451-9555 VIRACON MN IGCC(R)/IGMA(R) YR	1462 1911 4682 980	BC4/GSLC/CT BC4/GSLC/CT BC3/MC1 BC4/GSLC/CT	U/C3/U U/C3/U U/C3/U U/C3/U	MA/MA SS/SS RTP/RTP AA/AA	LF/LF LF/LF IB/IB LF/LF	PIB/S2 PIB/S2 RTP/RTP/S2 PIB/S2		Yes Yes Yes Yes
Viracon Inc. 8373 Zell Miller Parkway Statesboro, GA 30458 912-871-3500 VIRACON GA IGCC (R) / IGMA (R) 20	1529 1530 2909 3534 4253 4254	BC4/GSLC BC4/GSLC BC4/GSLC BC4/GSLC BC4/GSLC BC4/GSLC	U/C3 U/C3 U/C3 U/C3/U U/C3/U U/C3/U	MA AA SS AA/AA SS/SS MA/MA	LF LF LF LF/LF LF/LF LF/LF	PIB/S2 PIB/S2 PIB/S2 PIB/S2 PIB/S2 PIB/S2		Yes Yes Yes Yes Yes Yes
Vitro Flat Glass, LLC 400 Park Drive Carlisle, PA 17013 717-486-3366 VITRO CAR IGCC(R)IGMA()Date #	5196	BC4/SSLC	U/C2	US	DM	RHM	BA	Yes
Vitrogena, SA De Cv Tlatilco 138 Tlatilco, Mexico City 02860 Mexico 52-55-4165-5200	4552	BC4/SSLC	U/C2	AA	LF	PIB/S2		

<u>LICENSEE</u>	<u>CERTIFICATION NUMBER</u>	<u>FRAME CONSTRUCTION</u>	<u>SUBSTRATE</u>	<u>SPACER</u>	<u>DESICCANT</u>	<u>SEALANT</u>	<u>INTERNAL COMPONENTS</u>	<u>GCIA</u>
VITROTERM-MUROW S.A. Wolnosci 33 Murow 46-030 Poland 48-601-499-290	4525	BC4/SSL/CP	U/C3/U	PHSS/PHSS	LF/LF	PIB/S2		Yes
Vitrum Industries Ltd. 9739 - 201st Street Langley, BC V1M 3E7 Canada 604-614-9081 IGCC®/IGMA® Vitrum 2020 Langley	4888 4889	BC4/PLLC BC4/PLC	U/C2/U U/C2/U	PHSS/PHSS MA/MA	LF/LF LF/LF	PIB/S2 PIB/S2	BA BA	Yes Yes
W. A. Wilson Inc. 6 Industrial Park Dr. PO Box 6712 Wheeling, WV 26003 304-232-2200 Starlite IGCC(R)/IGMA(R)2020	3854 5253	BC4/GSLC BC4/GSLC	U/C3 U/C3	AA PHSS	LF LF	PIB/S2 PIB/S2	BA	Yes Yes
W.C.P., Inc dba West Coast Insulated Glass Products 17730 Crusader Avenue Cerritos, CA 90703 562-653-9797	2383 2384 2590 4366 4367 5040	MC4/PK MC4/PK MC4/PK MC4/PK BC3/MC1/MT MC4/PK	U/C2 U/C2 U/C2 U/C2/U U/C2/U U/C2	AA AA AA SS/SS FSF/FSF PHSS	LF LF LF LF/LF IB/IB LF	PIB/PU2 PU2 PIB/S1 PIB/PU2 RHM PIB/PU2	BA BA BA BA BA BA	Yes Yes Yes Yes Yes Yes
Westeck Windows Mfg. Inc. 8104 Evans Road Chilliwack, BC V2R 5R8 Canada 604-792-6700 Westeck Windows MFG IGCC(R)/IGMA(R) prod# + date	4775 5308 5309	BC3/MC1/MT BC3/MC1/MT BC3/MC1/MT	U/C2 U/C2 U/C2	FSF FSF FSF	IB IB IB	HM HM HM	BA BA BA	Yes Yes Yes
Western Reflections, Changshu ZhongXin Building Materials Meili Town Changshu, Jiangsu 215500 China 616-748-5401 XYG IGCC®/IGMA® 2020	39971 41951 41981 53111 53121 53131	MC4/PK BC3/MC1/PK BC3/MC1//PK MC4/PK BC3/MC1 BC3/MC1	U/U/U U/U U/U U/C2 U/C2 U/C2	AA/AA BCS BCS AA BCS BCS	LF/LF IB IB LF IB IB	PIB/PS2 BCS BCS/S2 PIB/PS2 BCS BCS/PS2	GI GI GI	



<u>LICENSEE</u>	<u>CERTIFICATION NUMBER</u>	<u>FRAME CONSTRUCTION</u>	<u>SUBSTRATE</u>	<u>SPACER</u>	<u>DESICCANT</u>	<u>SEALANT</u>	<u>INTERNAL COMPONENTS</u>	<u>GCIA</u>
Western Reflections, Vidrio Decorativo	30831	MC4/PK	U/C2	AA	LF	PIB/PU2	GI	
Occidental S. A. de C.V.	33091	MC4/PK/CT	U/C2	AA	LF	PU2	BA	
Poniente 4 Entre Borte 7 y Gral Pedro Hinojosa	40051	BC3/MC1/ZS	U/C2	UT	DM	RHM	BA BL	
Ciudad Industrial	40761	BC3/MC1/MT	U/C2	FS	IB	HM	GI	
Heroica Matamoros, Tamaulipas Mexico	41411	BC3/MC1	U/C2	BCS	IB	BCS/PU2	GI	
868-812-9152	43321	BC3/MC1/ZS/CT	U/C1/U	UT/UT	DM/DM	RHM	BA BL	
VDO IGCC®/IGMA® 2020	48511	BC3/MC1	U/C2	BCS	IB	BCS	GI	
	52041	MC4/PK	U/C2	AA	LF	PU2	BA	
	52051	BC3/MC1/ZS	U/C2	UT	DM	RHM	BA	
	52061	BC3/MC1/ZS	U/C2/U	UT/UT	DM/DM	RHM	BA	
	52071	BC3/MC1	U/C2	BCS	IB	BCS	BA	
	52091	BC3/MC1/MT	U/C2	UT/UT	DM/DM	RHM	BA	
	52491	BC3/MC1	U/C2	BCS	IB	BCS	GI	
Western Reflections, Zeeland	18921	BC3/MC1/MT	U/C2	BCS	IB	BCS	BA	
215 E. Roosevelt Avenue	30521	BC3/MC1/CT	U/C2	UT	DM	RHM	BA BL	
Zeeland, MI 49464	43381	MC4/PK	U/C2	AA	LF	PU2	BA	
616-772-9111	53811	BC4	U/C2	BCS	IB	BCS	BA	
ODL Zeeland IGCC®/IGMA® 2020	53821	MC4/PK	U/C2	AA	LF	PU2	BA	
White Aluminum Enterprises LLC Plot D14 (51) D11 (48,49) ICAD-1 PO Box 30665 Abu Dhabi United Arab Emirates 97-150-6429735 WAE IGCC/IGMA 2020	2335	BC4/ALLC	U/U	AA	LF	PIB/S2		
Wholesale Glass Dist.	2279	BC4/GSLC	U/C2	MA	LF	PIB/S2		Yes
4287 Delp Street	2280	BC4/GSLC	U/C2	MA	LF	PIB/PS2		
Memphis, TN 38118 901-332-2200 WGD 20 IGCC®/IGMA® ASTM E2190								
WHTB Glass, LLC	5257	BC4/GSLC	U/C2	AA	LF	PIB/S2		Yes
101 Precision Dr.	5258	BC4/GSLC	U/C2	AA	LF	PIB/S2		Yes
Shirley, NY 11967 347-382-9892								
Windsor Windows and Doors 2210 Stafford St. Ext. Monroe, NC 28110 704-283-7459 Windsor NC-1 IGCC(R)/IGMA(R) + date	2349	BC3/MC1/MT	U/C2	FSF	IB	HM	BA	Yes
Windsor Windows and Doors 901 S. Sunset Drive Norwalk, IA 50211 Windsor "order number" IGCC®/IGMA® low- e 366 IA-1 mm/yy	5022	BC3/MC1/MT	U/C2	FSF	IB	HM	BA	Yes

<u>LICENSEE</u>	<u>CERTIFICATION NUMBER</u>	<u>FRAME CONSTRUCTION</u>	<u>SUBSTRATE</u>	<u>SPACER</u>	<u>DESICCANT</u>	<u>SEALANT</u>	<u>INTERNAL COMPONENTS</u>	<u>GCIA</u>
Windsor Windows and Doors 900 South 19th Street West Des Moines, IA 50265 515-223-6660 Windsor "order number" IGCC®/IGMA® low- e 366 IA-2 mm/yy	2285	BC3/MC1/MT	U/C2	FSF	IB	HM	BA	Yes
Wujiang CSG Huadong Architectural Glass Co., LTD 869 Pangjin Road Economic Development Zone Wujiang, Jiangsu 215200 China 86-512-81559999	3500	BC4/GSLC	U/C2	AA	LF	PIB/S2		
Wujiang Golden Glass Technologies, Ltd. No 168 Caizi Rd Tongjin Ave. Economic & Technological Wujiang City Wujiang City 215200 China 86 75482532833	3930 3931	BC4/GSLC BC4/GSLC	U/C2 U/C2	AA SS	LF LF	PIB/S2 PIB/S2		
Xiamen Togen Building Products Co., Ltd. 7th Floor, No. 1 Office Building Wuyuan Bay Business Center Xiamen, Fujian 361000 China 86-592-5723009	4378	BC4/GSLC	U/C2	AA	LF	PIB/S2		
Xianning CSG Energy Conservation Glass Co., LTD. Guishan Road No. 35 Changjiang Industrial Park Economic Development Zone Xianning, Hubei 437000 China 18827318411	3915	BC4/GSLC	U/C2	AA	LF	PIB/S2		
Xinyi Energy-Smart Glass (Wuhu) Co., Ltd. Xinyi Glass Industrial Park No. 2 Xinyi Road Economic and Technical Development Zone Wuhu, Anhui China 604-273-0815	5076	BC2/MC2/PK	U/C2	PHSS	LF	PIB/S2		Yes
Xinyi Glass (Tianjin) Co. Ltd. No. 33 Quanfa Road Wuqing Development Area Tianjin 301700 China 86-22-59610666 IGCC/IGMA E2190 XYG 2020	4167 4168 4169 4170 4933	BC2/MC2/PK/CT BC2/MC2/PK/CT BC2/MC2/PK/CT BC2/MC2/PK/CT BC2/MC2/PK	U/C2 U/C2 U/C2 U/C2 U/C2/U	AA PHSS MA SS PHSS/PHSS	LF LF LF LF LF/LF	PIB/S2 PIB/S2 PIB/S2 PIB/S2 PIB/S2		Yes Yes Yes Yes Yes

<u>LICENSEE</u>	<u>CERTIFICATION NUMBER</u>	<u>FRAME CONSTRUCTION</u>	<u>SUBSTRATE</u>	<u>SPACER</u>	<u>DESICCANT</u>	<u>SEALANT</u>	<u>INTERNAL COMPONENTS</u>	<u>GCIA</u>
Xinyi Glass (Yingkou) Co., Ltd. Xin Yi Industrial Zone Xin Yi Road Yingkou, Liaoning 115007 China 86-417-8205076	4733 4734 4735 5232 5236 5237	BC4/GSLC BC4/GSLC BC4/GSLC BC4/GSLC BC4/GSLC BC4/GSLC	U/C2 U/C2 U/C2 U/C2/U U/C2/U U/C2/U	AA PHSS MA PHSS/PHSS MA/MA AA/AA	LF LF LF LF/LF LF/LF LF/LF	PIB/S2 PIB/S2 PIB/S2 PIB/S2 PIB/S2 PIB/S2		Yes Yes Yes Yes Yes Yes
Xinyi Group (Glass) Co., Ltd. Xinyi Glass Industrial Zone Humen Town Dongguan, Guangdong 52935 China 604-273-0813	2047 2350 2352 2353	MC4/PK BC4/GSLC BC4/GSLC BC4/GSLC	U/C2 U/C2 U/C2 U/C2	SS MA PHSS AA	LF LF LF LF	PIB/S2 PIB/S2 PIB/S2 PIB/S2		Yes Yes Yes Yes
Yantai Dongfang Glass Co., Ltd No. 17, Tonghuang Road Zhifu District Yantai, Shandong 264004 China +86 135 8594 0662	5155 5197	BC4/GSLC BC4/GSLC	U/C2 U/C2/U	PHSS PHSS	LF LF	PIB/PS2 PIB/PS2		Yes Yes
YinJian DongGuan Glass Engineering Co., Ltd. 86 Huanbao Road Yisha Village, Shatian Town Dongguan, Guangdong 523998 China 13763279690	4965	BC4/GSLC	U/C2	AA	LF	PIB/S2		
YKK AP America 4234 Ocmulgee East Blvd Macon, GA 31217 YKK AP America Inc IGCC(R)IGMA(R) IGCC# Date code	3870 3901 3903 4554 4555 4923	BC3/MC1 BC3/MC1/SS BC3/MC1/SS BC4/TLC BC3/MC1/TS BC3/MC1	U/C2 U/C2 U/C2 U/C2 U/C2 U/C2	BCS US US UT UT BCS	IB DM DM DM DM IB	BCS RHM RHM RHM RHM BCS	BA BA BA BA BA BA	Yes Yes Yes Yes Yes Yes
Zhejiang Kibing Energy Saving Glass Co., Ltd. Road 104 Baitatou Village, Taoyan Town Shaoxing City, Zhejiang 312036 China +86-575-88730760	4732	BC4/GSLC	U/C2	AA	LF	PIB/S2		
Zhejiang Zhongli Energy Efficient Glass Mfg. Co., Ltd Weiba Road Linjiang Industrial Zone, Xiaoshan District Hangzhou, Zhejiang 311228 China +86 571 82988386	3067 4362	BC4/GSLC BC4/GSLC	U/C2 U/C2	AA PHSS	LF LF	PIB/S2 PIB/S2		Yes Yes

<u>LICENSEE</u>	<u>CERTIFICATION NUMBER</u>	<u>FRAME CONSTRUCTION</u>	<u>SUBSTRATE</u>	<u>SPACER</u>	<u>DESICCANT</u>	<u>SEALANT</u>	<u>INTERNAL COMPONENTS</u>	<u>GCIA</u>
Zhong Shan Grandglass Industrial Co., Ltd 20 Shagang Middle Road Gangkou Town Zhongshan, Guangdong 528447 China 86-760-85595422	3501	BC4/GSLC	U/C2	AA	LF	PIB/S2		

**"IGCC®/IGMA® PROTOTYPES IN PROGRESS"**

The following candidate Licensees have a prototype test in progress for possible inclusion in the Program.

**MANUFACTURERS**

AGNORA LTD	Collingwood, ON
Al Andalus Glass Factory Co.	Riyadh, Riyadh
All Weather Tempering of Arizona, LLC.	Phoenix, AZ
Alumco LLC	Dubai, United Arab Emirates
American Glass	Springfield, MO
American Insulated Glass LLC.	Dallas, NC
American Insulated Glass LLC.	Ijamsville, MD
Andersen Corporation	Strathroy, ON
Ant-Cam Pazarlama A.S.	Antalya, Dosemealti
Arino Duglass	Zaragoza, Spain
Astiglass S.L.	Ecija, Sevilla
Beijing Wuhuatianbao Glass Co., Ltd.	Beijing, China
Budget Glass Company	Richmond, VA
Camyapi Cam Paz. Ins. Taah. Tic.ve San. Ltd. Sti	Kocaeli, Dilovasi
Cascade Windows Inc.	Salt Lake City, UT
Changshu Weier Glass Products Co. Ltd.	Changshu, Jiangsu, China
Ciraylar Cam Insaat Malzemeleri San. VE TIC. A.S.	Konya, Turkey
Cmech Ltd.	ZhenCheng, Guangdong, China
Compagnie de Portes Énergétique EDC	L'Assomption, Quebec
Consolidated Glass and Mirror, LLC	Galax, VA
Contemporary Glass Tempering, LLC	New Braunfels, TX
CS ECO Glass (M) Sdn Bhd	Negeri Sembilan, Malaysia
Eckelt Glas GmbH	Steyr, Austria
ECO Glass Production	Medley, Fl
Egger Glas GmbH	Gersdorf a.d. Feistritz, Steiermark
Erdem Dis Ticaret A.S.	Istanbul, Pendik
FG Glass Industries Pvt Ltd.	Mumbai, Maharastra
Foshan Super Glass Industrial Company Limited	Foshan, Guangdong, China
Foshan Xinxingye Glass Co., Ltd.	Chencun Town,
Fujian Ferro Smith Windows and Doors Co., Ltd	Zhangzhou, Fujian
Fuso Glass India PVT. LTD.	Sriperumbudur, Tamil Nadu
GGI Glass Distributors Corp.	Secaucus, NJ
Glass Enterprises Inc.	Bensalem, PA
Glassforms LLC	Dubai,
Glenny Glass Co.	Milford, OH
GnT Glass Co., Ltd.	Dongguan, Guangdong, China
Guangdong South Bright Glass Technology Glass Co., Ltd.	Foshan, Guangdong
Horizontal Tempering Glass SAL	MKalles, Beirut
Inova Glass S.A. de C.V.	Chihuahua, Mexico
Interpane Glasgesellschaft, mbH - Plattling	Plattling, Germany
Isoterglass SRL	Galliera Veneta, Padova

Jiangmen Junfa Safety Glass Co., Ltd.	Jiangmen, Guangdong
Katerra Manufacturing	Tracy, CA
KFK d.o.o.	Dugo Selo, Croatia
Lippert Components	Bristol, IN
Maryland Glass & Mirror	Baltimore, MD
Mid-American Glass, Inc.	Davenport, IA
Northwestern Glass Fab	Fridley, MN
Novavetro S.r.l.	San Severino Marche,
ODL, Inc.	Heroica Matamoros, Tamaulipas,
	Mexico
Oldcastle BuildingEnvelope®	Concord, ON
Oldcastle BuildingEnvelope®	Hauppauge, NY
Oldcastle BuildingEnvelope®	Houston, TX
Oldcastle BuildingEnvelope®	Rock Hill, SC
Oldcastle BuildingEnvelope®	Shawnee, OK
PFG Glass Industries	Langley, BC
Philly Glass Industry Inc.	Philadelphia, PA
Pioneer Window Mfg. Corp.	Johnstown, NY
Piva Group North America LLC	Sainte Genevieve, MO
PRESS GLASS SA	Radomsko, Poland
Press Glass, Inc.	Ridgeway, VA
Productora y Distribuidora de Espejos S.A. de C.V.	Pesqueria, Nuevo Leon
ProTemp Glass, Inc.	Concord, ON
Qingdao Kingdom Glass Co., Ltd.	Qingdao, Shandong Province
Qinhuangdao High Tech Energy Saving Dorwin Co., Ltd.	Qinhuangdao, Hebei, China
Qinhuangdao Xinhua Glass Processing Ind. Co. Ltd.	Qinhuangdao, Hebei, China
Quest USA, Inc.	Garland, TX
Regalead Ltd.	Hawick, Scotland, UK
Shenbo Special Architectural Glass Industrial Co., LTD	Shenzhen, Guangdong, China
Sheng An Glass LLC	Philadelphia, PA
ShenZhen LiaoYuan Glass Co., Ltd.	Shenzhen, Guangdong
Soytas Yapi Endustri A.S.	Istanbul, Turkey
Standard Building Products, Inc.	Changshu, Jiangsu, China
Suzhou Taifeng Glass Decoration Co. Ltd	Taicang, Jiangsu, China
Tecnoglass S.A.S.	Barranquilla, Colombia
Temp Glass Inc.	El Paso, TX
Thompson I.G. , LLC.	Fenton, MI
Tomakk Glass Partners, LLC	Shreveport, LA
Ultraseal Glass Corp	Etobicoke, Ontario
Universal Glass and Aluminum LLC.	Al Ghail, Ras Al Khaimah
Valda 90 Ltd.	Sofia,
VETRERIA CAPPELLETTI E ROLERI S.R.L.	Settima di Gossolengo (PC),
Viewmax Windows and Doors, Ltd.	Liaocheng, Shandong
Vitelsa Mosquera S.A.	Bogota, Cundinamarca, Columbia
Vitroform SP. Z.O.O.	Gdow,
VITROTERM-MUROW S.A.	Murow, Poland
Vitrum Industries Ltd.	Langley, BC
Xiamen Togen Building Products Co., Ltd.	Fujian, China

August 2020

Xinyi Energy-Smart Glass (Wuhu) Co., Ltd.  
Yakut Cam A.S  
Yildiz Cam San. Tic. A.S.

Wuhu, Anhui  
Istanbul, Sancaktepe  
Istanbul, Umraniye

NOTICE: In accordance with the terms of the Procedural Guide, the IGCC® Standard License Agreement, a manufacturer with a prototype product test in progress is not authorized to use the permanent Certification label for that product or to certify that its product is in compliance with Program Standards and Procedures until a passing prototype test report for that product is presented by the manufacturer to the Certification office and the manufacturer is otherwise in compliance with IGCC®/IGMA® Program Procedures.



**Administrative Management Systems, Inc.**  
**Administrative Office**  
PO Box 730, 205 West Main  
Sackets Harbor, NY 13685  
Phone: (315) 646-2234  
E-mail: igcc@amscert.com



## ***PROCEDURAL GUIDE***

(IGCC® Document ID-07)

### **INSULATING GLASS CERTIFICATION COUNCIL AND INSULATING GLASS MANUFACTURERS ALLIANCE IGCC®/IGMA® CERTIFICATION PROGRAM FOR SEALED INSULATING GLASS**

---

#### **1.0 FOREWORD**

Acceptance of certified sealed insulating glass comes with the conviction that such certification assures a high level of quality and the integrity of the identifying mark or certification label is being reliably maintained by a competent certifying agency.

The existing ASTM specification(s) for sealed insulating glass provides a sound technical basis for the required quality of sealed insulating glass. With the addition of independent administration plus periodic routine in-plant visits and product evaluation, a program of product certification is developed in accordance with accepted standards. The certification program described here is predicated upon the concept of independent and impartial administration of the certification procedures in the IGCC® license agreement.

To ensure administration of the certification program in a uniform and equitable manner, this procedural guide has been prepared for the information and guidance of the licensees.

It should be noted that the "IGCC® License Agreement" is the governing document for operation of the certification program. This procedural guide, which is not an extension of that document, serves merely to describe the administrative procedures and routine operation of the certification program.

The standards utilized in the IGCC®/IGMA® program for authorizing certification to is the **ASTM E2190-19** (Modified 2/2003)

#### **2.0 GENERAL INFORMATION**

##### **The Certification Concept**

The IGCC®/IGMA® Certification Program is based upon the conviction that no standard of quality is good without the continuous adherence of the licensees to that standard. To buyers, specifiers, code officials and users, the IGCC®/IGMA® certification label offers the



manufacturers assurance that his sealed insulating glass units have been produced in conformance to the ASTM specification(s).

#### Who Can Participate?

Every manufacturer of sealed insulating glass is eligible, on a voluntary basis, to participate.

#### Who Conducts the Program?

The Insulating Glass Certification Council (IGCC®) and the Insulating Glass Manufacturers Alliance (IGMA®), are the sponsors of this certification program. Under License with IGMA®, IGCC® administers and Governs the certification program under which the Administrator periodically checks and reports compliance of the manufacturers of products having the IGCC®/IGMA® certification label.

#### Administration

Administrative Management Systems, Inc. (AMS) is the independent administrator of the certification program. AMS maintains the IGCC®/IGMA® office of certification and handles the routine day-to-day business. All transactions are done in the name of IGCC®/IGMA®.

#### How Can You Become a Licensee?

The following steps must be accomplished before IGCC®/IGMA® can authorize a manufacturer to use the IGCC®/IGMA® permanent label: (Modified 8/2009)

- a) The manufacturer must present a passing prototype report from an approved IGCC®/IGMA® testing laboratory to the office of certification. Fabrication of prototype test samples shall be witnessed by a representative of the Administrator during a plant audit, at which time the manufacturers compliance with IGCC®/IGMA® Quality Assurance requirements is validated. (See *Section 10.0*)
- b) The manufacturer signs a copy of the IGCC® License Agreement and sends it to the office of certification. IGCC® will countersign this copy and email it to the licensee.
- c) The licensee sends the office of certification the necessary certification fee.
- d) After receipt by the office of certification of the above, the administrator validates that particular model and sends to the licensee a "Notice of Authorization to Use the IGCC®/IGMA® Permanent Label." The permanent label must be affixed on each certified sealed insulating glass unit.
- e) The certified model will then be listed in the next published Certified Products Directory and on the IGCC® website at [www.igcc.org](http://www.igcc.org).

### **3.0 HOW THE CERTIFICATION PROGRAM WORKS**

American Society for Testing and Materials (ASTM) has test methods and specifications for sealed insulating glass. Sealed insulating glass must meet or exceed the applicable specification before it can be certified.

Recognized independent testing laboratories conduct all tests. The certification committee shall approve all laboratories, whose test reports are utilized by this certification program. As the sole judge of compliance with the applicable specifications, the administrator authorizes a product, which has been approved to be listed in the Certified Products Directory.

Licensees label sealed insulating glass units in accordance with the labeling requirements established by the Certification Committee.

Approved products are listed in the Certified Products Directory, which is published every six months. It is sent to door, sash and building manufacturers, glazing contractors, homebuilders, architects, regulatory agencies and code-making groups, etc. Directory listings contain the licensee's name, plant location and product description.

The administrator verifies the production at the licensee's manufacturing location during twice per year audits. Audits are performed by a representative of the administrator. During each of these audits, the manufacturer's compliance with IGCC®/IGMA® Quality Assurance requirements is validated (See *Section 10.0*). The prototype test report must be submitted within one year of the report date in order for the report to be considered as the test for the first year, two audits will take place at which time the auditor will compare current production with the product authorized to use the IGCC®/IGMA® permanent label. At the discretion of the administrator, when a licensee is located outside of North America and test sample fabrication is not required, one audit in a given year may be performed internally by personnel of the licensee. In this case the required audit information will be transmitted to the licensee's internal auditor and upon completion reviewed by the administrator.

During the first audit in the second year, specimens will be fabricated for testing. IGCC®/IGMA® will ask the manufacturer to produce a minimum of thirteen test specimens. The fabrication of these test specimens is witnessed and verifies that they are produced in accordance with the construction certified. During test specimen fabrication, only the IGCC®/IGMA® auditor and employees of the licensee being audited shall be present. The licensee is instructed to send these test specimens to an approved IGCC®/IGMA® testing laboratory where they are tested. The specimens must be shipped to the laboratory within four weeks of fabrication. Tests are made at the laboratory recommended by the licensee and selected by the administrator from the approved list.

A monthly report listing the status of testing is provided to the licensee by the office of certification on the 15<sup>th</sup> of each month. Upon completion of the test, the administrator e-mails results promptly to the licensee.

After initial certification (Prototype) testing, ASTM E2190 testing shall occur annually for the first 2 years of certification. If no failures occur, then testing may occur once every 2 years, at the discretion of the participant. Except for prototypes, upon fabrication, test specimens, and related information and reports, become the property of the certification program (IGCC). (Modified 5/3/2017)

## **4.0 COMPLIANCE SAFEGUARDS**

### How is Compliance Assured?

Any certified product found in the course of routine audit and evaluation not to be in compliance with the model description or quality assurance requirements is subject to having authorization to use the IGCC®/IGMA® permanent label removed. The licensee is sent a request for clarification giving 30 days in which to demonstrate to the satisfaction of the administrator that the product is in compliance with the model description that is certified. If the licensee does not respond, a warning of possible removal of authorization to use the IGCC®/IGMA® permanent label is sent giving an additional 30 days to respond. If the licensee does not respond, authorization to use the IGCC®/IGMA® permanent label is **automatically terminated** at the end of that 30-day period.

In the case of a routine test failing to comply with the specifications, the licensee will be officially notified that within 15 days they must respond by stating that a retest fabrication is requested and by paying all administrative and test fees. If there is no response within the 15 days, authorization to use the IGCC®/IGMA® permanent label is **automatically terminated**. If the retest option is accepted, the administrator will perform an audit and witness fabrication of the retest specimens within 45 days. (See *Section 13.6* guideline G.16)

### Challenging a Certified Product

Complaints of non-compliance from any corporation or business source will be investigated promptly upon receipt of the complaint in writing along with an appropriate surety deposit. A minimum surety deposit of \$1,500 will be required for each complaint of non-compliance. The surety deposit will be assessed at the rate of \$300 per man-day plus the reasonable cost of travel and other expenses entailed in resolving such incidents. Refunds of part or all of the surety deposit will be made when applicable. The surety deposit will cover all costs involved, unless the investigation proved non-compliance, in which case all costs will be borne by the licensee found to be in non-compliance.

### Complaints by Consumers

The administrator shall receive and log the complaint. It will be the consumer's responsibility to identify the label, information appearing on the spacer of glass and advise the administrator of the same. Note: If no IGCC®/IGMA® label exists, the product has not been certified by the manufacturer to IGCC®/IGMA® and the administrator and IGCC®/IGMA® have no further responsibilities or options.

Once the consumer has identified the label, name, etc. they should advise the administrator. The administrator shall respond, advising the consumer of the name, address, primary contact, model description and other pertinent information at hand as it pertains to the subject licensee. Note: If the complaint is being made for reasons of product appearance or failure such as glass quality, fogging, seal failure, dust, etc., the consumer shall be advised to contact the licensee for manufacturer directly. Some manufacturers and their dealers or distributors offer warranties on their products. Normal claims, procedures and legal remedies are available to consumers on a state-by-state basis.

If the consumer wishes to determine whether or not a labeled product is in compliance with the model described through an investigation by IGCC®/IGMA®, the corporation or business challenge procedure shall be utilized. The surety deposit shall be modified to \$400 and charges per man-day and shall be assessed against the surety deposit in the amount of \$300 plus reasonable travel costs and other expenses.

#### Withdrawal of Certified Product

Any product which has been authorized to use the IGCC®/IGMA® permanent label may be voluntarily withdrawn from the Certification Program by the licensee at any time. (Modified 8/2009)

### **5.0 COSTS**

#### What Does the Program Cost?

The initial administration fee will be based on the date of authorization to use the IGCC®/IGMA® permanent label in a manner that participation in the Certification Program will be on a February 1 to January 31 basis thereafter. If the authorization date is between August 1 and December 1, 50% of the administration fee for the first year will be charged for participation and will include one audit prior to the following February 1 date. A licensee is invoiced for each item that is certified and listed separately in the Certified Products Directory. An additional invoice for testing laboratory fees will be issued upon fabrication of test units. For current fee schedule, contact the Administrative office or visit [www.igcc.org](http://www.igcc.org).

Testing of these units will not begin until payment has been received. Should failure of these units occur during certification testing, any remaining balance will be refunded to the licensee upon request. (Modified 8/2009)

### **6.0 DOCUMENTS AND AGREEMENTS**

#### License Agreement

This agreement, incorporating independent program administration and routine, periodic, independent plant audits, sampling and evaluation, governs the relationship between IGCC® and the licensee.

Future amendments or revisions to the License Agreement will be recommended by the Certification Committee and enacted by the IGCC® Board of Governors.

#### Effective Date, Duration, and Termination

The License Agreement becomes effective on the date of its execution, has an initial duration of twelve months (adjustable to a February 1 to January 31 basis), and is automatically renewed for successive twelve-month periods, unless either party gives notice, at least sixty days prior to date of expiration, that cancellation is requested or unless revoked by IGCC® for causes set forth in the document.

### Administrative Service Agreement

This agreement entered into by IGCC® and Administrative Management Systems, Inc. (AMS) governs the relationship between IGCC® and AMS, the independent administrator. In general, it provides that the administrator:

- a) Routinely audits licensee manufacturing facilities twice per year, and during the first audit in the second and subsequent years, witnesses fabrication of specimens for testing at one of the IGCC®/IGMA® approved testing laboratories;
- b) Has the right to witness any and all testing;
- c) Reviews all test reports in order to determine compliance of the certified product with the specifications;
- d) Audits and recommends for approval, all test laboratory facilities for use in this certification program Test laboratories are recognized or approved by the Certification Committee;
- e) Publishes and mails/emails the IGCC®/IGMA® Certified Products Directory twice each year and handles all routine clerical duties of IGCC®/IGMA® with respect to certification matters;
- f) Acts as IGCC® treasurer, invoicing licensees, maintaining a bank account and dispersing funds (fiscal reports are made to the Board of Governors);
- g) Attends all scheduled meetings of the Certification Committee; and
- h) In all of its actions acts in the name of IGCC®.

### IGCC®/IGMA® Administration Services and Exclusive Licensing Agreement

This agreement defines the relationship where IGMA® and IGCC® desire to combine the administration and marketing of their two certification programs into one certification program administered and governed by IGCC® under which both the IGCC® Mark and the IGMA® Mark are licensed to certification program participants meeting the requirements (“IGCC®/IGMA® Certification Program”)

### Procedural Guide

This guide outlines program procedures in accordance with the provisions of the License Agreement and the Administrative Service Agreement, for the guidance of those concerned with the procedural details of the Certification Program's operation. It covers the steps to be taken in any given procedural situation in the interest of equitable and uniform treatment of licensees and the preservation of the integrity of the certification program.

### Certified Products Directory

This directory is the one document and publication that is normally in the public's eye and contains a listing of the certified seal insulating glass units of each licensee.

### Certification Label

The licensee permanently affixes this certification mark to each unit of certified sealed insulating glass. This certification mark may be reference to the Licensee's listing in the Certified Products Directory. The listing then provides a product description including the company name, plant location, etc. (Modified 8/2009)

## **7.0 PROGRAM RESPONSIBILITY**

### IGCC® Board of Governors

The IGCC® Board of Governors overall responsibility is for the well-being and acceptance of the Certification Program by the industry, building officials and the public. It also bears legal corporate responsibility.

### IGMA® Board of Directors

The IGMA® Board of Directors may make recommendations to the IGCC® Board regarding the IGCC®/IGMA® Certification Program and may appeal any decision of IGCC® regarding certification or the IGCC®/IGMA® Certification Program.

### IGCC® Certification Committee

The IGCC® Certification Committee has the responsibility for the general procedure and policy pertaining to operation of the Certification Program. As a part thereof, it: (Modified 8/2009)

- a) establishes "guidelines",
- b) determines the applicability of the specifications in a specific situation where a question is raised by a licensee or the administrator,
- c) approves test laboratories,
- d) determines which of the specifications are to be designated effective for the purposes of product certification and the date or dates on which they become effective, and
- e) recommends to the IGCC® Board of Governors changes to be made in the License Agreement.

## **8.0 LABEL REQUIREMENTS**

THE IGCC®/IGMA® CERTIFICATION LABEL MUST BE PERMANENTLY MARKED ON A VISIBLE PORTION OF EACH SEALED INSULATING GLASS UNIT OR IT IS NOT CERTIFIED BY THE MANUFACTURER TO THE PUBLIC. The label shall be etched, sand blasted, embossed, printed, painted or otherwise permanently marked on the spacer or at least one component pane of the sealed unit. (See Note #1 below)

This label must be visible after installation in the building. The IGCC®/IGMA® permanent label must be in block capital letters and have a minimum height of 0.050 inches (1.27 mm). The letters IGCC®/IGMA® must be followed by the ® registration mark or a close facsimile, i.e., IGCC®/IGMA®. The IGCC®/IGMA® permanent label must contain the company identification (company name, trade name or company code), plant code\*, registered "IGCC®/IGMA®" mark and a date code spanning no more than a 12-month period, plus or

minus three months. The date code should commence with the beginning of each calendar year (effective for both the beginning and the ending of each period). Outdated spacers may be hand stamped to bring the label up to date. The plant code will only be required when there is more than one plant with an IGCC®/IGMA® certified product operating under the same company name. The IGCC®/IGMA® permanent label must be affixed to certified products only at the time and place of manufacture. The labeling must be approved by the administrator. The permanent label must be affixed only to the sealed insulating glass units of the licensee's own manufacture which have been certified by the manufacturer through IGCC®/IGMA®.

The permanent label must not be sold, transferred or otherwise disposed of in any manner other than being affixed to the licensee's certified production. The permanent label must not be affixed to any product from which certification has been withdrawn or which is produced with a process basically different from the one used when certification was obtained.

Example of Minimum Label:

**ABC Glass Co.(\*) IGCC®/IGMA® '20**

The IGCC®/IGMA® permanent label is listed under each company's name in the "Certified Products" section of this directory.

\* A plant code will only be required when there is more than one plant with an IGCC®/IGMA® certified product operating under the same company name.

Note#1:

When an NFRC certified window, door, skylight fabricator also fabricates IGCC®/IGMA® certified IG units and glazes these IG units into their own NFRC certified product, the IGCC®/IGMA® permanent label may appear on the window, door, skylight NFRC permanent label in lieu of the IGCC®/IGMA® permanent label appearing on the actual IG unit. IGCC®/IGMA® required label content and NFRC permanent label requirements shall apply. (Modified 8/2010)

For Example:

NFRC 123 - N - 456 ----- ABC Windows - Dallas IGCC®/IGMA® 2020
--

## **9.0 ADVERTISING GUIDELINES**

The following concepts are important to remember whether you are a participant, licensee in the IGCC®/IGMA® Certification Program, or a supplier to the sealed insulating glass industry. This discussion is intended to provide you with an accurate background description of the IGCC®/IGMA® Certification Program, to help you avoid making possibly misleading,

deceptive, or ambiguous statements regarding the program in the advertising of your products.  
(Modified 8/2009)

- 1) IGCC®/IGMA® is the sponsor of a certification program. IGCC®/IGMA® does not certify products.
- 2) The administrator audits laboratories and checks their equipment, audits licensees' production and fabrication of specimens, and validates test reports and certification claims.
- 3) Laboratories test specimens to specific test methods and specifications referenced by IGCC®/IGMA®
- 4) Manufacturers/licensees "certify" their products, affirming that their products are constructed similarly to specimens which were audited, tested and found to pass the stated criteria. A Licensee's Certification Statement is the imprinting, sandblasting, etching or other form of permanent marking of an IGCC®/IGMA® certification program designation and number to its product.
- 5) The IGCC®/IGMA® Certification Program does not have "members," inasmuch as the term "members" carries with it a connotation that some detailed criteria must be met in order to participate in the organization. Under the IGCC®/IGMA® concept, anyone can participate, and "participants" simply must possess a "legitimate interest in the purposes of IGCC®/IGMA®." Manufacturers, on the other hand, which are "fabricators of sealed insulating glass units," become participants by virtue of executing a License Agreement with IGCC®. Any manufacturer of insulating glass may voluntarily enter into a License Agreement, provided that they intend to certify at least one product under the IGCC®/IGMA® Certification Program. Thus, the proper term to use for a manufacturer participant is "Licensee." A manufacturer, with a prototype in progress, is termed a "Candidate Licensee."
- 6) Unit specimens, not their components, are tested under the IGCC®/IGMA® program. Thus, if you are a supplier to the industry, statements indicating that your components have complied with the test methods would be incorrect. A better nomenclature for example, would be, that "Units tested to ASTM E2190 contained our X component have been found to meet the requirements of the specification(s)."
- 7) Should you have any questions concerning the IGCC®/IGMA® Certification Program, please contact:  
Insulating Glass Certification Council  
Mr. John G. Kent  
PO Box 730, 205 West Main Street  
Sackets Harbor, NY 13685  
Telephone: (315) 646-2234  
E-mail: [igcc@amscert.com](mailto:igcc@amscert.com)
- 8) \*\*ANSI Disclaimer  
Although the IGCC Program is ANSI-accredited and uses the ANSI accreditation symbol on its publicity material the IGCC-certified Licensee cannot use the ANSI trademark nor the



ANSI accreditation symbol, this includes its products, packaging, stationary, letterhead, or any other form of media.

## **10.0 QUALITY ASSURANCE PROGRAM**

IGCC®/IGMA® require licensees to have a working quality assurance program for the fabrication of insulating glass. As a minimum, the licensee's quality assurance system must comply with the general requirements of IGMA TM-4000-02(07) "Insulating Glass Manufacturing Quality Procedures Manual" which established 1) general requirements for quality systems and 2) provides practical solutions for implementing such a system. IGCC®/IGMA® requires compliance to these general requirements of IGMA TM-4000-02(07) "Insulating Glass Manufacturing Quality Procedures Manual" but does not define the specifics of the quality assurance system which should be appropriate for the type, range and volume of work performed.

Adherence is verified during twice per year plant visits. These requirements were adopted to improve the overall quality of IG units in the program, and also to satisfy requirements established by the Department of Housing and Urban Development, HUD, the National Fenestration Rating Council (NFRC) and other regulatory and consumer driven organizations.

A licensee's QA program shall comply with IGMA TM-4000-02(07) "Insulating Glass Manufacturing Quality Procedures Manual" which establishes requirements for the following: (Modified 02/03/2015)

- 1) A quality systems manual
- 2) A designated person responsible for quality assurance
- 3) Process Control
- 4) Inspection and Testing (Spacer, Desiccant, Sealant, Gas Fill, Finished Product, Glass)
- 5) Calibration
- 6) Non-Conforming Products and Corrective Action
- 7) Storage and Handling
- 8) Field Service
- 9) Internal Quality Audits
- 10) Training
- 11) Statistical Techniques

## **11.0 GAS CONTENT INITIAL AND AFTER WEATHERING CERTIFICATION AND TESTING (GCIA)**

A licensee must certify to seal durability requirements to participate in the gas content program. The IGCC®/IGMA® Gas Content program is voluntary if gas content units will NOT use IGCC®/IGMA® marked spacer, but is mandatory if IGCC®/IGMA® marked spacer will be used for gas content units. The program is intended to demonstrate a licensee's ability to initially fill to a minimum level and the ability of the construction of the IG unit to retain a minimum gas content level after exposure to the ASTM E2190 weathering cycle.

Licensees meeting a tested initial gas content of 90% or greater and a final after weathering gas content of 80% or greater shall be identified in the Certified Products Directory (CPD) with the designation "GCIA" for "Gas Content, Initial and After Weathering". Both initial and after weathering gas content must be compliant in order to be listed as "GCIA". The gas content certification process will be as follows: (Modified 8/2010)

- 1) The normal minimum of thirteen (13) 14x20-inch (355x505 mm) test units for seal durability, fifteen (15) for multiple air space units, shall be fabricated under auditor witness during normal durability certification fabrication audits. All test units shall be gas filled with argon. All multiple air space units shall have both cavities filled and tested. Per guideline G.19 as applicable, coated glass shall be used and multiple air space units shall have coated glass as the center lite for at least ten (10) test units intended for testing in accordance with ASTM E2188 and have coated glass on at least one outer lite for at least four (4) test units intended for testing in accordance with ASTM E2189. The test lab shall randomly select ten (10) units for initial gas content testing except that units containing internal components (IC) (i.e. grills or muntins) shall not be considered for testing. Units shall be inspected for any damage, and any damaged units not used. Testing for gas content after weathering shall be performed on the six (6) ASTM E2190 weathering test units.
- 2) Production Units – As of 6/23/2010 selection and testing of production units is not required.
- 3) Units shall be tested for initial and after weathering gas content percent by non-destructive spark emission spectrography (SES) in accordance with ASTM E2649 Determining Argon Concentration in Sealed Insulating Glass Units Using Spark Emission Spectroscopy. Up to two (2) test units (14x20") may be used to replace any unit broken in shipping or handling.
- 4) Laboratories shall report results of testing as "percent initial gas content" and "percent after weathering gas content" to the nearest whole percent.
- 5) The calculation of percent initial gas content shall be the average of all ten (10) units tested. The calculation of percent after weathering gas content shall be the average of all six (6) weathered test units.
- 6) To be listed as complying with gas content certification, initial and after weathering (GCIA) the average gas content level must be 90% or greater initially and 80% or greater after weathering, and each of the tested units shall have a gas concentration of 50% or greater.

These levels were selected as levels that can reasonably be reached by insulating glass fabricators on a consistent basis. It takes into consideration a) variations that may occur in the filling process, and b) variations that may occur in the testing process. If a licensee feels that its gas content is consistently greater than these gas content values, the licensee can include this information in the licensee’s literature.

- 7) It is recognized that actual production units may not necessarily be 90% or greater initial gas content but shall meet the manufacturer’s stated initial content values.
- 8) Special arrangements need to be made if regulatory compliance is required for gas content other than argon.

**12.0 COMPONENT VALIDATION**

Sealant Fingerprinting - To help understand variability in an IG total unit performance, an optional tool, sealant “Fingerprinting” can provide fabricators with an avenue to better understand test results and material variability. The output of a sealant fingerprint is a graphical representation of the generic make-up of a material that then can be compared to other fingerprints of the fabricator to better understand the material. Fabricators can create their own “vault” for their company’s “pre” and/or “post” ASTM weathering testing. The information (Fingerprint) shall be the property of the company requesting the test. Contact IGCC at [staff@amscert.com](mailto:staff@amscert.com) for more information or visit the IGCC®/IGMA® website ([www.igcc.org](http://www.igcc.org)). (Adopted 7/12/2018)

**13.0 CERTIFICATION GUIDELINES AND INTERPRETATIONS**

For guidance in labeling and certifying sealed insulating glass units the Certification Committee has adopted the below guidelines.

Additionally, certain topics that required added explanation and clarification have been presented in a series of Certification Notes as referenced. These Certification Notes are available on the IGCC®/IGMA® website ([www.igcc.org](http://www.igcc.org)) or by contacting the administrative office.

<b>ID #</b>	<b>Title</b>	<b>Initial Publish Date</b>	<b>Approval Date</b>
CN IG 1009	Certification of Internal Components (IC)	10/28/09	5/8/2019
CN IG 1109	Certification of Capillary Tube, Breather Tube Systems	10/28/09	10/28/09
CN IG 0310	Certification of Multiple Air Space Units	3/1/10	3/2/11
CN IG 1010	Interim Certification	10/14/10	3/1/11
CN IG 0211	Certification and Testing of Vacuum Insulating Glass VIG	2/18/11	9/26/18
CN IG 0112	Desiccant Quantity Review of Changes (ACPF)	1/31/12	10/31/12

**ALWAYS**

**13.1** The following situations permit the licensee to **always** certify the sealed insulating glass units with the same IGCC®/IGMA® number.

**13.1.1 GLASS**

A.GL.1

Any change in glass thickness from that tested. (Modified 3/15/2006)

A.GL.2

Any change in glass tint or color from that tested (clear glass is required in test specimens).

A.GL.3

Any change in glass size from that tested (14 by 20 inches is required for test specimens).

A.GL.4

Any change in glass type (i.e. tempered, heat strengthened, laminated or patterned glass) from that tested (annealed glass is normally used in all test specimens).

A.GL.5

Any change in glass shape from that tested (rectangular glass is required in test specimens). This guideline permits the same IGCC®/IGMA® number for triangular, circle head, trapezoidal and other shapes.

A.GL.6

Any change in glass supplier from that tested.

A.GL.7 (Deleted 3/15/2006)

A.GL.8 (Deleted 3/15/2006)

A.GL.9 (Deleted 3/2/2011)

**13.1.2 SPACER**

A.SP.1

Any change in air space dimension from that tested (one-quarter inch to one-half inch air space is allowed for testing).

A.SP.2

Any change in spacer wall thickness from that tested.

A.SP.3

Any change in spacer seam design (i.e. butt seam or lock seam) from that tested.

A.SP.4

Any change in supplier of spacer from that tested, everything remaining the same.

A.SP.5

Corners or connections which are soldered, welded, brazed or bent, but uncut, may be used interchangeably with the same IGCC®/IGMA® number. (Adopted 2/19/1985)

A.SP.6

Corners or connections may be changed from mechanical connections (MC) to bent-uncut corners (BC), using the same IGCC®/IGMA® number utilizing joiners or corner keys of plastic, aluminum, stainless, or galvanized steel. (Modified 5/14/2008)

A.SP.7

Any change in spacer profile from that tested. (Adopted 7/29/2004)

**13.1.3 INTEGRATED SPACER SYSTEMS**

Defined as a pre-fabricated multi-component, multi-material and/or multi-function spacer system. Contact the IGCC®/IGMA® Administrative Office for the most current list of reviewed integrated spacer systems and their generic class.

A.SS.1

A licensee may certify a thermally broken Integrated Spacer System (ISS) on the "IGCC®/IGMA® List of Reviewed Integrated Spacer Systems" utilizing the same IGCC®/IGMA® number as the base spacer generic material (single homogeneous component) provided regular test units include the thermally broken ISS, all other guidelines applicable. (Adopted 1/31/2012)

A.SS.2

A licensee may use a temporary alternate integrated spacer system on the IGCC®/IGMA® list of reviewed integrated spacer systems (most current version) in the same generic class by a) notifying the administrator of the change, b) having test specimens witnessed by the administrator's representative at the next regular audit, and c) sending the test specimens to an IGCC®/IGMA® approved testing laboratory within four (4) weeks of the test specimens' fabrication date. However, Guideline G.26 shall apply where applicable. The licensee may temporarily use the certification label on a provisional basis commencing with written notification from the administrator and ending when test results are received by the administrator. (Modified 1/31/2012)

**13.1.4 DESICCANT**

A.DE.1

A manufacturer may use the same IGCC®/IGMA® number on production units having air space thickness equal to, or greater than the model tested provided the desiccant Adsorption Capacity per Perimeter Foot (ACPF) remains the same (-10%) or is greater. A manufacturer may use the same IGCC®/IGMA® number on production units having an air space thickness smaller than

the model tested provided the manufacturer maintains the same or more sides filled with desiccant (Modified 1/31/2012)

A.DE.2

A change in supplier or model of the same generic type of desiccant from that tested will not require a different IGCC®/IGMA® number provided the new material is on the list of IGCC®/IGMA® reviewed desiccants and the ACPF is maintained or increased. However, Guideline A.SS.2 shall apply where applicable. (Modified 10/28/2015)

A.DE.3

The use of the same loose fill desiccant manufactured in different particle size ranges will not require a different IGCC®/IGMA® number. (Modified 1/31/2012)

A.DE.4 (Deleted 1/31/2012)

A.DE.5 (Deleted 1/31/2012)

A.DE.6 (Deleted 1/31/2012)

**13.1.5 SEALANT**

A.SE.1

If a fabricator produces IGUs with the same sealant/spacer system, but with different sightline dimensions (i.e. with a narrow and standard sightline dimension), they must certify the system with the smallest sealant/spacer sightline dimension. Verification of smallest sightline shall be confirmed during IGCC®/IGMA® fabrication audits. (Revised 9/26/2018).

A.SE.2

A licensee may use a temporary alternate sealant on the IGCC®/IGMA® list of reviewed sealants (most current version) in the same generic class by a) notifying the administrator of the change, b) having test specimens witnessed by the administrator's representative at the next regular audit, and c) sending the test specimens to an IGCC®/IGMA® approved testing laboratory within four (4) weeks of the test specimens' fabrication date. The licensee may temporarily use the certification label on a provisional basis commencing with written notification from the administrator and ending when test results are received by the administrator. (Modified 6/23/2010)

**13.1.6 GAS CONTENT**

A.GC.1

Any change in gas from that tested providing 1) the same gas filling fabrication process is used; argon is required for each regular testing, and 2) a one-time after weathering gas content test is done for each exotic gas other than argon (acceptable methods of test shall be GC, SES, O2 analyzer, other acceptable to IGCC®/IGMA®).(Revised 2/1/2020)

**NEVER**

**13.2** The following situations never permit the licensee to certify with the same IGCC®/IGMA® number. They require the use of a different IGCC®/IGMA® number.

**13.2.1 SPACER**

N.SP.1

A change in spacer material, i.e. aluminum to steel or any other material will require a different IGCC®/IGMA® number.

N.SP.2

A change in spacer surface finish, i.e. anodized to mill finish or hot dip to electro galvanized will require a different IGCC®/IGMA® number.

N.SP.3

A change in corner design from soldered, welded, braised or bent (BC) to mechanical corner (MC) will require a different IGCC®/IGMA® number. (Modified 5/14/2008)

N.SP.4

A change in corner key material to another material, except to the same material as the spacer, will require a different IGCC®/IGMA® number. All plastic keys and joiners are considered generically equivalent. This guideline does not apply to A.SP.6. (Modified 5/14/2008)

N.SP.5

If bent, uncut spacer corners or connections (BC) are changed to mechanically fastened spacer corners (MC); a new IGCC®/IGMA® number is required. (Modified 5/14/2008)

**13.2.2 DESICCANT**

N.DE.1

A change in generic type of desiccant will require a different IGCC®/IGMA® number. For purpose of desiccant guidelines, the generic types of desiccant are 1) LF=Loose Fill desiccant, 2) IB=Imbedded desiccant system, 3) DM=Desiccant Matrix. (Modified 1/31/2012)

**13.2.3 SEALANT**

N.SE.1

In a single sealant system, a change in generic type of sealant will require a different IGCC®/IGMA® number.

N.SE.2

In a two sealant system, a change in generic type of primary sealant will require a different IGCC®/IGMA® number.

N.SE.3

In a two sealant system, a change in generic type of secondary sealant will require a different IGCC®/IGMA® number.

N.SE.4 (Deleted 9/26/2018)

N.SE.5 (Deleted 9/26/2018)

**GENERAL**

**13.3 CLASS I - UNIT MODIFICATION**

DEFINITIONS

Breather Tube - Tube inserted into the I.G. spacer and intended to be sealed prior to glazing of the unit.

Capillary Tube - Tube inserted into the I.G. spacer and intended to be left permanently open.

Capillary, Tube and How It Is Related to Membrane - IGCC®/IGMA® observes that organically sealed insulating glass units are not actually hermetically sealed, but rather are composed of sealing systems which demonstrate sufficiently low water and gas transmission rates as to pass the accelerated weathering conditions imposed in ASTM standard(s). We acknowledge that certain capillary tube designs may also control the passage of water and gases in such a manner as to allow breathing but still demonstrate the ability to pass the test conditions.

G.0 Capillary Tube (Permanently Open Tube)

An I.G. construction incorporating a permanently open capillary tube will be considered and listed for durability as equivalent to a previously IGCC®/IGMA® program durability certified I.G. model without a capillary tube, provided the following applies: (Modified 10/28/2009)

- a) Material and construction of the units are identical, except for the inclusion of the capillary tubes.
- b) Both sets of I.G. units reach the same performance level when tested according to ASTM standard(s). The units with capillary tubes need only be tested once.
- c) The test must be run by an IGCC®/IGMA® approved lab. Unit installation instruction must be supplied to the lab.
- d) Preparation of test specimens need not be witnessed. However, the test result must be reviewed and approved by the administrator.

G.1 Breather Tube (Temporarily Open Type)

A licensee is permitted to insert the open end of a breather tube in a bag or container of desiccant during shipment of a specimen to the test laboratory for durability testing. The breather tube must be sealed prior to testing. Unit installation/sealing instruction must be supplied to the lab. (Modified 10/28/2009)



G.2 Breather Tube (Temporarily Open Type)

The addition of a breather tube is acceptable, for shipping only, even though not in the durability test specimen. The breather tube should be properly sealed before installation. Unit installation/sealing instructions must be supplied to the lab. (Modified 10/28/2009)

G.3 Edge Protection

The addition of edge protection such as metal banding, metallic foil, barrier coat, etc., is acceptable with the same IGCC®/IGMA® number.

G.7 (Deleted 1/1/2007)

G.8 Internal Components (IC)

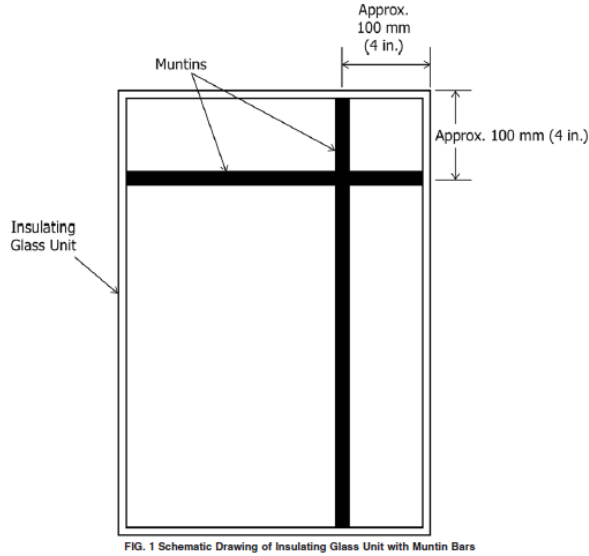
(See page 85 of this Procedural Guide)

Baseline testing to ASTM E2189 shall be performed during each regular certification test on units identical to those fabricated for ASTM E2188 testing. Initially and at least each 4 years, sets of three (3) double pane, five (5) multiple cavity test specimens shall be constructed under auditor witness for E2189 internal component performance testing utilizing all the components of an internal components (IC) system, which are used in the ultimate product. Only ASTM E2189 testing shall be required in each of the following categories of internal components. The specific internal component to test in each category shall be 1) worst case product or 2) highest sales volume product, at the fabricator's discretion:

- 1) Bars, grills or muntins (BA)
- 2) Blinds (BL)
- 3) Glass, or other glazing materials (GI)
- 4) Other internal components not in the above categories (i.e. insulating materials, electronics) (OI)

When testing muntins or grills, test samples shall be fabricated dividing the sample into four areas in an off-set pattern in accordance with ASTM E2189. A licensee may use the same IGCC®/IGMA® number for units manufactured with and without internal components (IC)

providing regular testing has been accomplished in accordance with the above procedure. (Modified 5/8/2019)



#### G.15 Multi-Cavity

Multiple air space units may be certified with the same IGCC®/IGMA® number as single air space units, provided that the construction of each space complies with the guidelines for single space units; pressure communication of spaces is permitted, but not required. This guideline shall apply to multiple air space products that use glass or a suspended coated film (SCF) as an airspace barrier. Testing of multiple air space units shall be performed initially and in lieu of single air space unit testing at least once each (4) years. When testing multiple air space units with coated glass, the coated glass shall be on at least one outer lite for the units intended to be tested for volatile fog in accordance with ASTM E2189. (Modified 6/23/2010)

G.17 (Deleted 1/1/2007)

G.18 (Deleted 1/1/2007)

#### G.19 Coated Glass

An Insulating glass unit constructed with coated glass with the coating toward the air space (pyrolytic or sputter coated) shall be certified utilizing the same IGCC®/IGMA® number provided regular test units include one lite of the coated product per test sample. Only the highest volume coated product need be tested. Testing of sputter coated non-edge deleted will cover sputter coated edge deleted, Pyrolytic and uncoated (clear). Testing of sputter coated edge deleted will cover Pyrolytic and uncoated. Testing of Pyrolytic will cover Pyrolytic and uncoated. Testing uncoated (clear) will only cover uncoated (clear). When testing multiple air space units with coated glass, the coated glass shall be on at least one outer lite for the units intended to be tested for volatile fog in accordance with ASTM E2189. (Modified 6/23/2010)

#### G.26 Adsorption Capacity per Perimeter Foot (ACPF)

For all Certified Products and prototypes for Certification testing, the fabricator shall have on file a copy of the **Desiccant supplier's specification showing the minimum equilibrium**

**water adsorption capacity (weight %) as measured at 25°C (77°F) and 50% Relative Humidity (+/- 5%).** Additionally, the fabricator shall document the weight of desiccant or desiccant system (grams) in the certified product or prototype. From this data, the fabricator shall document the adsorption capacity per perimeter foot (ACPF) using the following formula: (Modified 1/31/2012)

$$\text{ACPF (grams/ ft.)} = \frac{\text{Weight of Desiccant Product (g)} \times \text{Adsorption Capacity (wt \%)}}{\text{Perimeter (Feet)} \times 100}$$

Note: For all 14 x 20 inch test specimens the perimeter is 5.66 feet

#### G.27 Structural Modification, i.e. Hole for Gas Fill; Electrical Connectors or Conductors

A sealed insulating glass unit that has been structurally modified, (i.e. hole or holes for gas filling (AP), connectors or conductors that penetrate the seal (primary or secondary) (SP)) shall be tested regularly for certification assembled with standard production procedures including these modifications. (Modified 5/7/2014)

#### G.29 IG Integrated Sash Technology

When testing IGCC®/IGMA® units using IG Integrated Sash Technology, IG fabricators would have the option of testing integrated IG units in one of two methods: 1) glass size shall be 14x20-inch and the sash shall be cut away to fit in a 14x20-inch testing opening, or 2) a larger sash which accommodates 14x20-inch glass may be tested. This option would need to be reviewed with the test lab ahead of time to ensure the test chamber can accommodate the larger sash size. All testing is completed with no glazing beads and all fabrication holes or simulated hole punches in place. If the sash is cut away, this function must be performed by the IG fabricator. (Adopted 5/3/2005)

#### G.30 Applied Surface Coatings to an IG Spacer and Spacer Components

An insulating glass unit utilizing an applied surface coating to an IG spacer and spacer components shall be initially certified under the normal certification testing process. The application of the coating will be documented in the product audit report. A surface coating may be added to or removed from an already certified product utilizing the same certification number by applying guideline G.5. Applied surface coatings would include, but not be limited to paints, coatings and adhesion promoters. Spacer and spacer components with an embedded or etched into the surface color are not subject to this guideline and may be certified with the same IGCC®/IGMA® number. (Modified 3/2/2011)

#### G.32 GCIA and Capillary and Breather Tubes and Systems

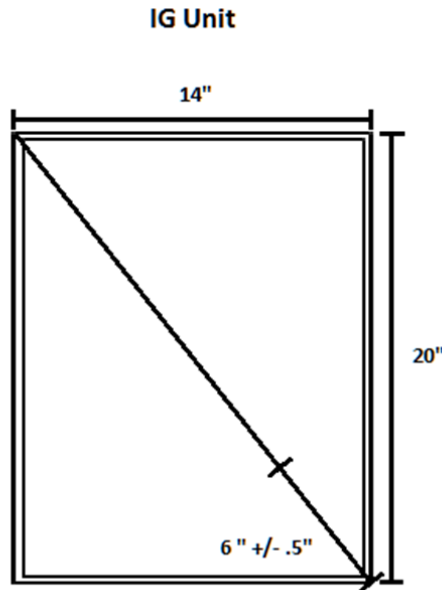
(Refer to guideline(s) G.0, G.1, and G.2) An IG construction incorporating a permanently or temporarily open system or tube, (Capillary, breather or other) may be Gas Content Initial and After Weathering certified (GCIA) with the same IGCC®/IGMA® number provided regular test units include all the components of the system or tubes. Unit installation and/or final sealing instructions must be supplied to the laboratory and performed at the laboratory. (Modified 8/6/2013)

#### G.34 Bent or Curved IG Units

Special note should be taken that the ASTM E2190 test method does not provide for testing of Bent or Curved IG units. As such, it is only flat IG units that fall within the IGCC®/IGMA® Certification Program. This, however, in no way precludes the ultimate use of Bent or Curved IG units. Labeled spacer may be used in IG units, other than flat glass, but in that case, certification does not apply. (Adopted 3/2/2011)

### G.37 Point Support Aperture

Point support aperture units may be certified with the same IGCC®/IGMA® number as the base model, non-point support units, provided construction of the units are the same except for the point support aperture and testing of point support units shall be performed initially and in lieu of the base model, non-point support unit, at least once each (4) years. Only one point support aperture shall be present in each test unit and the center of the support shall be located 6-inches +/- ½-inch on the unit diagonal. Any components fixed to the IG by the IG fabricator and associated with the aperture shall be included in the test units. Changes in the shape or geometry of the through hole will not require retesting, but changes in the generic material of the seal will require retesting. (Adopted 5/4/2017)



## **13.4 CLASS II - SPECIMEN**

### G.6 Specimens – Quantity

No more than 4 additional test units shall be labeled by the auditor for testing (up to 17 for double pane, VIG and VIG Hybrid; and up to 19 for multiple air space.) When gas content testing (GCIA), it is recommended to ship some or all of the additional auditor “labeled” units to the testing laboratory. (Modified 9/26/2018)

### G.9 Specimens - Production (Deleted 1/1/2007)

G.10 Specimens - Production

If a licensee is not producing units at the time of an audit a labeled unit from inventory may be cut apart for inspection, provided that the date code is within the audit period.

G.11 Specimens - Production

A portion of the audit will be used to determine whether a licensee is using the IGCC®/IGMA® label on unauthorized units.

G.12 Specimens - Shipment

Units fabricated for test during an audit must be shipped directly to the approved test facility within four weeks of the date of fabrication. If they are not, the audit may be considered invalid and another audit must take place. But for normal in plant quality inspection processes performed by the manufacturer, there shall be no 'pre-testing' of any test sample being forwarded to the approved test facility. In situations where fabricated test units are deemed unacceptable for test by the licensee as a result of a normal plant quality inspection process, the licensee shall be allowed to re-fabricate test samples only once. This re-fabrication must occur within 45 days of the original fabrication. All costs related to this guideline are to be borne by the licensee. (Modified 5/14/2008)

G.14 Specimen Frequency

The prototype test will be considered as the test for the first year of certification (providing application is made within 12 months from the date of the test report). This is effective for matters initiated after May 1982. The next fabrication for testing purposes will be in the first half of the second year. (Modified 1/31/2012)

G.31 Suspension of Testing

There may be situations where the program participant wishes to suspend testing (gas or durability) before completion. For prototype fabrications this shall be at the discretion of the program participant and has no effect on the certification listing. For certified unit testing, with consideration for guideline G.12, any suspension of the test, gas or durability, shall be deemed as a failure of that portion of the test. G.12 would not be applicable once testing has started. (Adopted 5/14/2008)

**13.5 CLASS III - EQUIVALENCY**

G.5 Gray Area

Situations that are not included in the "Always" or "Never" categories listed above, fall into the gray area. The gray area situation is covered by Minutes item 10.10.77.10 and is repeated here.

When there is a change and the licensee desires to use the same IGCC®/IGMA® number, the licensee shall immediately notify the administrator with all details of the change and also satisfy either 1 or 2 below:

- 1) Establish equivalency by passing the same level of ASTM test as certified to by:
  - a) having specimens tested at an IGCC®/IGMA® independent testing laboratory or

- b) having specimens tested at an in house (licensee) facility, testing done in house by a licensee must be done under the surveillance of the administrator.

Specimens must be fabricated and submitted to the laboratory within two weeks after notification of the administrator. During the test period, the licensee may temporarily use the certification label on a provisional basis or:

- 2) Demonstrate the equivalency of the change to the satisfaction of the Certification Committee or a subcommittee. (Specimens not required.)

#### G.21 Transfer

If a licensee manufactures the same model using the same technology at a different location, a IGCC®/IGMA® number with a temporary status will be issued provided that testing (durability and/or gas content) of the model is initiated at the next scheduled testing audit. This guideline may not be applied to products for which certification has been previously removed due to test failure. (Modified 12/06/2006)

#### G.23 Equivalency

A licensee needs to establish equivalency for a model only once.

#### G.24 Vision Glass Areas

Special note should be taken that the ASTM E2190 test method only provides testing for "Vision glass areas." As such, it is only these types of units that fall within the IGCC®/IGMA® Certification Program. This, however, in no way precludes the ultimate use of these units in other applications, e.g. Spandrel units. (Adopted 8/28/1986)

Labeled spacer may be used in IG units, other than vision glass, but in that case, certification does not apply. (Adopted 4/16/1991)

#### G.28 Certifying Additional Constructions

A current licensee with currently certified products may certify additional constructions or replace a certified construction at the same plant location by having specimens tested at an IGCC®/IGMA® independent testing laboratory. These samples need not be witnessed by an IGCC®/IGMA® representative. Upon completion of passing test results the construction shall be eligible for IGCC®/IGMA® certification. IGCC®/IGMA® witnessed testing must occur at the next regular audit. (Adopted 7/28/1999)

#### G.33 Duplicate Certification

There may be situations where the program participant wishes to certify separately a model variation for which IGCC®/IGMA® would allow equivalency, both variations under a single certification number. Some examples of this duplicate certification may be dual pane and multiple air space, various moisture vapor transmission path lengths (sightlines), variations in coated glass. This duplicate certification shall be allowed and each variation given a separate certification number. Each certification number will be treated as its own certified model and be subject to normal product fees, testing and auditing requirements.

#### G.35 Multiple Sources of Same Generic Category

If a licensee regularly uses multiple sources of supply within the same generic category each source of supply (A and B) shall be tested on a rotational basis. If one source of supply (A) is

tested and fails to comply, the same source of supply (A) must be tested to maintain certification for that source of supply. If certification for (A) is no longer required by the licensee the retest due to failure must still occur with (B) or a new alternate source of supply (C). (Modified 8/6/2013)

#### G.36 Sale of Plant and Transfer to New Ownership

When a fabrication facility (plant) with a currently certified IGCC/IGMA product, or pending prototype(s), is sold to new owners, the certification may be transferred to the new owners. The following steps shall be followed for the new owners and plant to maintain IGCC®/IGMA® certification: (Adopted 5/4/2017)

- 1) Notify the Administrative Office, in writing, when the sale is to take place or when sale is finalized. Notification shall include a description of any interruptions in production or changes that may affect the status of certification, including product marking.
- 2) A new license agreement shall be signed and returned to Administrative Office, if the new owner is a new licensee.
- 3) The new owner shall be responsible for any outstanding certification and testing fees unpaid.
- 4) While it is encouraged for the new owners to utilize new IGCC/IGMA certification numbers, retention of the same certification number(s) from the prior owner shall be allowed. Regardless of prior testing history, testing will need to be completed during the next regular facility visit.
- 5) The above is only applicable if a majority of plant personnel and fabrication equipment is maintained. New prototype testing may be necessary if significant changes are made.

#### G.38 Inactive Certification

After initial certification, a licensee, with multiple certified products, may place a different (non-equivalent) certified product into an “inactive status”. During inactive status, directory listing would still occur but with an “IN” designation. Regular retesting would not be required. Returning to a “Certified” status and labelling of production units would not be allowed without notification of the Administrative office. When returned to “Certified” status, an audit and witness fabrication of retest specimens must occur within 45 days of reactivation, unless current test reports are within one year of the report date. A product may only remain in “IN” for up to 5 years. (Modified 9/26/2018)

### **13.6 CLASS IV - APPEALS, REVIEW AND DE-CERTIFICATION**

#### G.13 Monetary

The administrator shall remove authorization to use the IGCC®/IGMA® permanent label from all of any licensee’s products for failure to pay monies due to IGCC®/IGMA® within 60 days of invoice date (reference License Agreement A. 13 and B.6).

#### G.16 Failure to Comply

In cases where a routine test fails to comply with the specifications: (Modified 2/4/2015)

- 1) Upon notification of failure of routine test samples to reach the certified level, the licensee will be officially notified. Within 15 days the licensee must respond to the certified letter stating a retest fabrication is requested by paying all required administrative and test fees. If there is no response within 15 days, authorization to use the IGCC®/IGMA® permanent label will be removed.  
If the retest option is accepted:
  - a) Request for retest option is granted by IGCC®/IGMA® only upon receipt in full of any administrative and retest fees within 15 days of date of mailing of the notification of failure.
  - b) IGCC®/IGMA® will perform an audit and witness fabrication of retest specimens within 45 days of payment of fees in 1) above.
  - c) Licensee must ship and deliver retest specimens to the testing laboratory within 4 weeks of fabrication.
- 2) There is to be no change in certification status during the retest period. All routine audits will continue. Sample fabrication for subsequent routine testing of the questionable model will be suspended pending the outcome of the retest.
- 3) If the retest units comply, they shall be considered as the next routine test.
- 4) If the retest units fail, the licensee is issued a cease and desist order on use of the label immediately.
- 5) The licensee may choose to accept certification at any level passed by the retest, although it might be a lower level than originally desired.

#### G.20 Authorization to use the IGCC®/IGMA® Permanent Label

Authorization to use the IGCC®/IGMA® permanent label will be removed if a routine audit discloses that a licensee is labeling units containing the same unauthorized construction for the third time.

#### G.22 Clarification of Due Process Appeal Process

Clarification of due process appeal process under License Agreement, Paragraph A.11:

A Licensee's appeal from a final adverse decision by the Administrator, under License Agreement Paragraph A.11, shall in the first instance be to the Certification Appeals Subcommittee of the Certification Committee, which acts as an executive committee for the Certification Committee in order to provide a prompt hearing for the Licensee and to act on the Licensee's appeal as quickly as possible. A decision by the Certification Appeals Subcommittee favorable to the Licensee shall be a final decision. A decision by the Certification Appeals Subcommittee adverse to the Licensee may be appealed to the full Certification Committee for a due process review and hearing. Such an appeal to the



Certification Committee must be made in writing within 30 days of an adverse decision by the Certification Appeals Subcommittee and this appeal will be heard at the next meeting of the Certification Committee. Pending a hearing by the Certification Committee on such an appeal, the Licensee may maintain certification for the product at issue.

**Committee rule to clarify guideline G.22 as adopted by  
the Certification Committee at minute 10.31.12.10**

The Chairman of the Certification Committee may call for a special meeting of the Committee (with notice provided in the same way as for a special meeting of the Board of Governors under the Bylaws), and the Committee may conduct a special meeting (at the physical location identified in the notice or by use of conference telephone or other communication equipment by means of which all persons participating in the meeting can communicate with each other), with such special meeting to be at a date and time other than the next regularly scheduled meeting of the Committee, and at which special meeting any proper business of the Committee, including business under Procedural Guideline G.22, may be conducted. (Modified 10/31/2012)

**SPECIFICATION USED FOR SEALED INSULATING GLASS**

- **ASTM E2188**
- **ASTM E2189**
- **ASTM E2190**
- **ASTM E2649**

Per minutes of the September 25-26, 2018 and May 7-8, 2019 Certification Committee Meeting, with the adoption of the new 2019 ASTM standards testing to the 2010 version of the standard shall be considered equal to testing to the 2019 version of the standard except for the supplemental internal component testing.

Initial sample fabrication for supplemental internal component testing shall not require auditor witness. Testing to the 2019 version of the standard shall begin on or before January 1, 2020 and certification (listing) to the 2019 version shall begin August 2020.

Specification may be obtained by contacting:

ASTM  
100 Barr Harbor Drive  
West Conshohocken, PA 19428-2959  
Telephone: (610) 832-9585  
Web Address: [www.astm.org](http://www.astm.org)

**Adopted: May 13, 1977**  
**Revised: August 1, 1981**  
**Revised: January 15, 1986**  
**Revised: January 17, 2012**

IGCC® STANDARD PARTICIPANT'S AGREEMENT APPLICABLE TO "SUPPLIER" (NON-IG UNIT MANUFACTURER), "PUBLIC INTEREST", "TEST LABORATORY", "TRADE ASSOCIATION", IG-UNIT "USER", "OTHER PERSON/ORGANIZATION WITH LEGITIMATE INTEREST" OR "CONSUMER" PARTICIPANTS IN IGCC®

This Agreement, made and effective this \_\_\_\_\_ day of \_\_\_\_\_, 20\_\_\_\_, by and between \_\_\_\_\_ (hereinafter called "PARTICIPANT") and INSULATING GLASS CERTIFICATION COUNCIL, INC. (hereinafter called IGCC®), an Illinois not-for-profit tax-exempt corporation having its administrative office at 205 West Main Street, Sackets Harbor NY 13685, hereby provides as follows:

In consideration for being approved as an IGCC® Program Participant, and for the right to vote under the IGCC® Corporate Bylaws as an IGCC® Program Participant, I attest and agree, personally or on behalf of my employer, as follows:

A. IGCC Corporate Bylaws: I attest that I have read the IGCC ® Corporate Bylaws and that I or my employer have a legitimate interest in the goals of IGCC®, and I agree, personally or on behalf of my employer, to be bound by the IGCC® Corporate Bylaws.

B. Eligibility and Participant Category: I attest as follows, personally or on behalf of my employer, and request to be recognized, either personally or on behalf of my employer, as a PARTICIPANT in IGCC® in one of the following participation categories: Supplier (Non-IG Unit Manufacturer); Public Interest; Test Laboratory; Trade Association; IG-Unit User; Consumer; Other person/organization with legitimate interest in the purposes of the IGCC® corporation: \_\_\_\_\_ (Please indicate category).

1. I understand that IGCC®-approved test laboratory participants conducting tests in the IGCC® Certification Program also sign and are obligated to follow the provisions of the IGCC® standard test laboratory agreement, and that IGCC® IG-Unit manufacturer licensee-participants sign and are obligated to follow the provisions of the IGCC® standard license agreement for IG-unit manufacturers, and become participants in IGCC® thereby.

2. I attest that I do not manufacture IG-units nor am I employed by an IG-unit manufacturer (as such, neither I nor my employer qualify to become an IGCC®-IG Unit manufacturer-licensee). If my Participant category or eligibility changes (e.g. by beginning fabrication of IG units), this Agreement will be null and void.

C. Annual Fee: The annual fee for a Supplier (Non-IG Unit Manufacturer) Participant is \$350.00 per company (as of 1/17/2012), subject to change by the IGCC® Board of Governors. There is no fee for public interest or consumer participants. On behalf of my employer, I agree this

annual fee for a Supplier Participant (Non-IG Unit Manufacturer) in IGCC® shall be payable upon receipt of an invoice and shall be non-refundable.

D. Voting Rights and Responsibilities: (1) I understand and agree the IGCC®/IGMA certification program is structured and operated such that program policies and decisions are made in open parliamentary due-process committees whose meetings and actions shall be conducted with impartial review and implementation governance and administrative process. (2) I understand and agree that the IGCC® Certification Committee, as the primary working committee in which I may cast a vote as a Participant (if eligible under the Bylaws), shall operate free from commercial, financial or other interests that might conflict with IGCC's best interests and goals as set forth in IGCC's Corporate Bylaws, and I shall recuse myself from casting any vote in which a conflict of interest may exist. (3) I understand and agree that members of the Certification Committee provide a balance of interests where no single interest dominates. (4) I understand and agree each Participant is responsible for maintaining the confidentiality of specific information as may be requested and appropriate. (5) I understand and agree that the IGCC Board of Governors has ultimate governance authority under the IGCC Corporate Bylaws and applicable law, and that IGCC Participants and Participants' meetings are governed specifically by IGCC Corporate Bylaws Articles III and IV.

E. Dispute Resolution Process: I agree, personally or on behalf of my employer, to the following dispute resolution process, which is the same dispute resolution process applicable to IGCC® IG-Unit Manufacturer-Licensee Participants under the IGCC® standard license agreement for IG-Unit Manufacturers:

Any claim, complaint, dispute or related controversy asserted by me or my employer arising out of or regarding participation in IGCC® under this Agreement, or the operation of IGCC® under the IGCC® Corporate Bylaws, including the determination of the scope or applicability of this Agreement, and any arbitration pursuant to this standard IGCC® Participant's Agreement, shall be governed by the laws of the State of Illinois and the Illinois Not-for-Profit Corporation Act (under which IGCC® is incorporated), and the parties to this IGCC® Participant's Agreement agree that any such claim, complaint, dispute or related controversy not settled amicably between the parties will be resolved exclusively by submitting any such claim, complaint, dispute or related controversy (following a mandatory 20 day period in which no claim, complaint, dispute or related controversy shall be submitted to arbitration and during which the parties will seek a mutually agreeable resolution of any claim, complaint, dispute or related controversy) to binding contract arbitration, unless both parties consent to mediation or some other form of dispute resolution. In the event of contract arbitration, the arbitration will be conducted by a neutral third party arbitrator accepted by both parties. In the event that the parties do not agree to the appointment of any arbitrator, any claim, complaint, dispute or related controversy asserted by me or my employer regarding participation in IGCC® under this Agreement, or the operation of IGCC® under the IGCC® Corporate Bylaws, shall be resolved under the most-current Commercial Arbitration Rules of the American Arbitration Association. The place of the arbitration shall be in Illinois or some other mutually agreeable location. In any arbitration proceeding, reasonable discovery of evidence shall be allowed, and strict conformity to legal rules of evidence shall not be necessary, and the parties may offer evidence as is relevant and material to the dispute, which shall be considered in the arbitrator's reasonable discretion. The arbitrator, exercising his or her discretion, shall conduct the

proceedings with a view to expediting the resolution of the claim, complaint, dispute or related controversy. The prevailing party in the arbitrator's Decision and Final Award shall be entitled to recover reasonable attorney's fees and costs it may incur in connection with the arbitration proceeding. The arbitrator's Decision and Final Award shall be enforceable in any court of competent jurisdiction.

F. To maintain or commence Participant status, this Agreement needs to be signed by Participant. This Agreement supersedes and replaces any predecessor IGCC® Standard Participant's Agreement to which I or my employer is a party.

SIGNED and DATED:

PARTICIPANT: \_\_\_\_\_  
Please sign and print name and title/authority; and date

Company/Business/Organization Name: \_\_\_\_\_

Street Address: \_\_\_\_\_

Telephone Number: \_\_\_\_\_; Fax Number: \_\_\_\_\_

Email Address: \_\_\_\_\_; Website: \_\_\_\_\_

Primary IGCC® Program contact for Participant: \_\_\_\_\_ (Please print)

APPROVED and AGREED:

INSULATING GLASS CERTIFICATION COUNCIL, INC. (IGCC®)  
P.O. Box 730, 205 West Main Street, Sackets Harbor, NY 13685  
Telephone: (315) 646-2234 Fax: (315) 646-2297 Email: staff@amscert.com

By: \_\_\_\_\_ (Please sign and date \_\_\_\_\_)  
John G. Kent, IGCC® Administrative Manager

\* A copy signed by IGCC® will be returned to Participant



AMS, INC.  
Administrative Management  
Systems, Inc.

205 West Main, PO Box 730  
Sackets Harbor, NY 13685  
Phone: (315) 646-2234  
Fax: (315) 646-2297  
E-mail: staff@amscert.com



**STANDARD LICENSE AGREEMENT FOR AMS CERTIFICATION UNDER IGCC®/IGMA®  
CERTIFICATION PROGRAM FOR SEALED INSULATING GLASS UNITS  
(ID-30)**

**(as revised effective September 16, 2019, and constituting the successor effective agreement, pursuant to the terms herein, for all preceding fully-executed IGCC®/IGMA® Certification Program standard license agreements)**

This Agreement, made this \_\_\_\_\_ day of \_\_\_\_\_, 20\_\_\_\_, by and between Administrative Management Systems, Inc. (AMS), a New York corporation, hereinafter called "LICENSOR", and INSULATING GLASS CERTIFICATION COUNCIL, INC, (hereinafter "IGCC®" or PROGRAM SPONSOR), an Illinois not-for-profit tax-exempt corporation each having their office at 205 West Main St. P.O. Box 730, Sackets Harbor, NY 13685, and (legal entity) \_\_\_\_\_ having its principal office at (location) \_\_\_\_\_, (hereinafter called "LICENSEE"), hereby provides as follows:

**WITNESSETH:**

1. WHEREAS, Licensor is the certification body for the certification program noted below and as designated in the attached addendum(s) and hereinafter referred to as the Certification Program, sponsored by designated Program Sponsor for Sealed Insulating Glass Units, which will provide for (1) the validation of a manufacturers certification of such products by means of independent laboratory testing and evaluation to the requirements of applicable Specification(s) and applicable Test Method(s) and ASTM Standards; and under the further terms and conditions of the Certification Program set forth in this Agreement and the Program's Procedural Guide, and also providing for (2) the stipulation by each such manufacturer that the manufacturer maintains a quality assurance program which covers the production of all the units to which this agreement refers; and  
 2. WHEREAS, the term "Sealed Insulating Glass Certification Program(s)" as used herein refers to the sealed insulating glass certification program as designated and described in greater detail in the Addendum(s) which are attachment(s) to this Standard License Agreement and hereby made a part thereof;  
 3. WHEREAS, The responsibilities of the Licensor and Program Sponsor are limited to the tasks set forth in this Certification Program Standard License Agreement and any requirements as may be necessary to maintain accreditation to applicable standards; Licensor and Program Sponsor do not endorse, warrant, or guarantee products validated or certified under the Certification Program, and  
 4. WHEREAS, Licensor and Program Sponsor are willing to accept participation in said Certification Program by all manufacturers of Sealed Insulating Glass Units under the terms set forth herein; and  
 5. WHEREAS, Program Sponsor is the uncontested sole owner of the designated program mark and label IGCC®; the aforesaid mark/label, and/or other mark(s)/label(s) cross-licensed to Program Sponsor IGCC® are hereby licensed by Program Sponsor to Licensor

(AMS), which has entered into a valid service agreement with Program Sponsor IGCC® for authorization of use of the mark, and which mark(s) is/are hereby licensed by Licensor and Program Sponsor to Licensee and said label(s)/mark(s) shall be permitted to appear on Licensee's registered Certification Program marks/labels which are permitted by Licensor to be affixed to the Sealed Insulating Glass Units complying with the pertinent requirements of the Certification Program; and  
 6. WHEREAS, the Licensor and Program Sponsor may contract for services with independent laboratories which have signed and meet the requirements of the Testing Laboratory Agreement, and with auditors and other service providers deemed necessary for the operation of the program who have entered into a valid agreement ; and  
 7. WHEREAS, the Program Sponsor shall appoint a "Certification Committee" which shall be structured and operate in accordance with the requirements of the IGCC® By-laws: meetings of this committee shall be called by the Chairman of the Certification Committee at least once each year; and  
 8. WHEREAS, the procedural guide shall be adhered to by the Licensor, Program Sponsor and the Licensee; and  
 9. WHEREAS, the Licensor shall conduct all aspects of the program in accordance with standards and accreditation requirements that may be identified by the certification program, this license agreement, the procedural guide and program documents and procedures; and  
 10. WHEREAS, Licensee is willing to participate in and support said Program under the terms and conditions set forth in this Agreement.

Therefore, be it  
 RESOLVED, that it is agreed by and between the parties hereto as follows:

**LICENSEE:**

A.1) Shall sign this Agreement by providing the signature of its corporate officer or authorized representative, and also its primary Certification Program contact, where noted herein.

A.2) Shall allow the Licensor's representative, and observers from accreditation bodies or program sponsor without prior notice, free access at any time during regular business hours, to Licensee's place of manufacture of Sealed Insulating Glass Units certified hereunder and to witness the manufacture of samples which are to be tested for compliance with the requirements. Licensee's refusal to permit access for audit purposes hereunder is cause for removal of its entire product listing from the Certified Products Directory and the withdrawal of its rights to affix Certification Marks/Labels thereto. Acceptable reasons for not permitting entrance for audits would include strikes, acts of God, and circumstances beyond immediate control of the manufacturer. Areas which may have been set aside for research or prototype development may be restricted. It is understood that the Licensor or his representative shall be allowed to pick up samples from the field for audit or testing. It is understood that periodic tests will be made on each model to be certified and that said tests will be made at the laboratory selected by the Licensor or Licensee from the approved list. Licensor will notify the Licensee of compliance or non-compliance. It is further understood that routine expense of sampling and testing will be borne by the Licensee. The Licensor will charge each Licensee accordingly and so contract for applicable services. Expenses for packaging, shipping, and purchasing of glass for testing will also be borne by the Licensee.

A.3) Shall affix to each of its certified products the permanent Certification Mark/Label assigned by the Licensor:

- a) Only at the time and place of manufacture; and
- b) Only to Sealed Insulating Glass Units of Licensee's own manufacture, which have been so approved by the Licensor.

A.4) Shall not sell, transfer or otherwise dispose of Certification Mark/Labels in any manner other than affixing to Licensee's certified production.

A.5) Shall not affix hereafter the Certification Program registered mark, or Participant's Certification Mark/Label registered with Licensor, to any product from which certification has been withdrawn or which is produced with a process basically different from the one used when certification was obtained. A model change shall be as defined by the certification program.

A.6) Shall upon a finding by the Licensor that a certified product of Licensee has been changed as defined by the Certification Committee have thirty (30) days in which to submit a request for waiver of retest or request a new audit and retest at Licensee's expense if no waiver is granted. Failure of Licensee to act as required immediately above shall constitute due cause for exclusion of this product from the program.

A.7) May withdraw a certified product from the Program by written declaration and request for removal of said product from the Licensor's listing signed by the authorized representative of the Licensee.

A.8) Shall use all practical means at its command continuously to assure that its products hereunder certified fully comply with the Specification requirements, and are manufactured in the same manner as test specimens, and are subject to a quality assurance program maintained by Licensee, and Licensee shall so stipulate to the Program Sponsor's representatives during the periodic visits of said representatives to Licensee's facilities, or when otherwise requested by the Program Sponsor or Certification Body. Licensee shall also fulfil the certification requirements, including implementing appropriate changes when they are communicated by the Program Sponsor or Certification Body; if the certification applies to ongoing production, the certified product continues to fulfil the product requirements in accordance with Program Guidelines.

A.9) Shall refrain from using terms implying or claiming certification, validation, accreditation, or the like in connection with advertising referring to products which have not been certified, or from which validation of certification claim has been suspended, withdrawn, or terminated.

A.10) In connection with the advertising of model systems which the Licensor has approved and granted a certification number or mark/label, the Licensee must use the following concepts as guidelines: Licensor (AMS) is the Certification Body or certifier, (IGCC®) the Certification Program Sponsor. Licensee (Manufacturer) certifies that the product is the same as the model which has been tested. Licensor validates the test results through Audits according to the certification program guidelines.

A.11) Shall abide by the decision of the Licensor as to the conformance or non-conformance of Licensee's products with the requirements of the Certification Program, determined in accordance with the requirements of the specification testing and quality assurance requirements as defined by the Certification Program. It is understood that the Licensor shall be the sole judge of conformance or non-conformance with the Specifications applicable to the Certification Program, for purposes of Licensor's validation of Licensee's certification of such a product under this Program. Where questions involving interpretation arise, the matter will be referred to the Program Sponsor for ruling.

A.12) Agrees that notice regarding the status of any of its certified products shall be carried in the Certified Products Directory maintained by Licensor on behalf of Program Sponsor.

A.13) Shall pay the participation fees shown in the Schedule of Fees, current version, upon signing of this Agreement and at each regular renewal thereof. It is understood, that this Schedule of Fees may be changed from time to time by the Licensor and Program Sponsor.

A.14) Agrees that the Licensor may, at his discretion, use any and all data, exclusive of Licensee's Company name, address, proprietary product designation or any other information which may provide clues as to the manufacture of the products, for the purpose of comparing test methods and correlating test methods with field performance.

A.15) Shall legibly and permanently mark or label each certified product in accordance with the current label requirements of the certification program, which may be changed from time to time.

A.16) Shall furnish Licensor with any information regarding its product as may be necessary to properly identify Licensee's Certified Product for listing in the Certified Products Directory.

A.17) Shall regularly mail to the Licensor, at the same time as such material is furnished others, copies of its catalogs and other literature, excluding price and discount information, where such materials list Licensee's products certified hereunder. The Licensee shall not reference its product certification in a manner as to bring the Licensor or Program Sponsor into disrepute and shall not make statements regarding its product certification that may be considered misleading or unauthorized. If certification documents are provided to others, the documents shall be reproduced in their entirety.

A.18) Shall abide by and comply with all procedural details which the Licensor and Program Sponsor may prescribe for the implementation of the Certification Program, provided that such procedural details are not inconsistent with the provisions and purposes of this License Agreement.

A.19) Shall have the right, at its option, to designate a nominee from Licensee's organization for consideration for appointment to the IGCC® Certification Committee.

A.20) Shall notify Licensor without delay, of any changes that may affect its ability to conform with the Certification Program requirements;

A.21) Shall in making reference to product certification in communication media such as documents, brochures, or advertising, including websites, comply with Certification Program requirements;

A.22) Shall keep a record of all complaints made known to it relating to compliance with certification requirements and makes the records available to the Licensor when requested, and

- 1) Take appropriate action with respect to such complaints and any deficiencies found in products that affect compliance with the requirements for certification;
- 2) Document the actions taken

**LICENSOR AND PROGRAM SPONSOR:**

B.1) Shall prepare and publish at least twice each year, with such interim supplements as may be desirable, a Certified Products Directory (hard copy and/or electronic) containing a listing of the Certified Insulating Glass Products which have been found by testing and audit of quality assurance programs to be in compliance with each required specification for each Licensee then in good standing with Licensor and Program Sponsor. This directory shall include the Licensee's assigned certification number, name, location and product certification status.

B.2) Shall promptly distribute (hard copy and/or electronic) substantial quantities of each Directory and supplement to door, sash, and building products manufacturers, glazing contractors, home builders, architects, regulatory agencies and code-making groups, and publicize the Directory to trade publications.

B.3) Shall provide and maintain a list of approved laboratories qualified to perform tests required hereunder and to authorize tests herewith specified. Said list of approved laboratories is to be developed by the IGCC® Certification Committee.

B.4) Shall prepare and maintain a procedural guide and the standard forms which may be adopted for use with the Licensee and the approved laboratories in connection with the operation and program requirements of the Certification Program, including the testing and quality assurance requirements thereof.

B.5) Shall hold all test reports and correspondence with Licensees and others, relating to Licensee's products or tests, in strict confidence, except for communication necessary to effect proper listing in the Certified Products Directory, communication necessary to effect any program approvals or accreditation, and as required by law.

B.6) Shall not list in or remove from the Certified Products Directory any product or Licensee except on due notification in writing from an authorized representative of the Licensee or because Licensee fails to pay applicable fees as provided in the most current Schedule of Fees.

B.7) Shall administrate the Certification Program to provide and authorize all sampling and testing, review and approve test data, perform periodic evaluations or other duties and functions herein provided for including granting maintaining, extending, suspending or withdrawing certification.

**IT IS FURTHER AGREED THAT:**

C.1) A certification test hereunder denotes and is limited to a test in accordance with the requirements of the appropriate specifications and related test methods.

C.2) Each branch or affiliated plant of each Licensee manufacturer must be registered individually, and products therefrom tested and certified separately and apart from products manufactured in other plants or branches of any Licensee manufacturer.

C.3) A procedure exists for handling appeals and complaints and may include complaints of non-conformance which provides for samples of like product to be provided by Licensee in a specified manner for repetition of tests within thirty (30) days, the total cost of which, including test specimens, is to be borne by the complainant, unless the test proves non-conformance, in which case the costs will be borne by the Licensee; tests are to be initiated by the Licensor promptly upon receipt of a complaint in writing along with the appropriate surety deposit. Complaints and Appeals regarding the Certification Program that cannot be resolved by Licensor shall be resolved by the Program Sponsor.

C.4) This agreement shall become effective on the date of signing and shall extend for a period of 12 months and shall be renewed automatically for successive periods of 12 months each, and remain in effect unless Licensor, Program Sponsor or Licensee, at least sixty (60) days prior to the date of expiration, gives notice in writing that cancellation or termination is requested (which shall be deemed agreed and effective at the conclusion of said notice period) and unless revoked and terminated by Licensor or Program Sponsor for causes set forth in this Agreement and in accordance with procedures set forth in the Agreement and the Certification Program Procedural Guide.

C.5) If this agreement is terminated, then upon the effective date of such termination, Licensee shall:

- a) Not affix the registered quality Certification Mark/Labels to any product which Licensee shall thereafter manufacture; and
- b) Make no further reference to, or use of, Licensor's certification or Program Sponsor's Certification Program or registered Certification Mark/Labels as used earlier in the Certification Program.

C.6) Licensor, in the event it shall be necessary to exclude Licensee from participation in the Certification Program in accordance with the provisions hereof, may do so by giving Licensee thirty (30) days written notice of Licensor's termination of the License Agreement.

C.7) The terms of this Agreement and any disputes arising from or about this Agreement, and any arbitration pursuant to this Agreement, shall be governed by the laws of the State of Illinois, in which the program sponsor is incorporated. The parties agree that all disputes relating to the interpretation of, or otherwise about or arising from the terms of this Agreement not settled amicably between them will be submitted (following a mandatory 20 day period in which no claim shall be submitted to arbitration and during which the parties will seek a mutually agreeable resolution of any claim or dispute) exclusively and solely to binding contract arbitration, unless each party consents to mediation or some other form of dispute resolution. In the event of contract arbitration, the arbitration will be conducted by a neutral third party arbitrator accepted by each party. In the event that the parties do not agree to the appointment of any arbitrator, any controversy or claim arising out of or relating to this contract, or the breach thereof, shall be resolved under the most-current Commercial Arbitration Rules of the American Arbitration Association. The place of the arbitration shall be in Illinois, or some other mutually agreeable location. In any arbitration proceeding, reasonable discovery of evidence shall be allowed, and strict conformity to legal rules of evidence shall not be necessary, and the parties may offer evidence as is relevant and material to the dispute, which shall be considered in the arbitrator's reasonable discretion. The arbitrator, exercising his or her discretion, shall conduct the proceedings with a view to expediting the resolution of the dispute. If any party submits an arbitration claim to enforce any of the terms of this Agreement, the prevailing party shall be entitled to recover reasonable attorney's fees and costs it may incur in connection with the arbitration proceeding. A final award by the arbitrator shall be enforceable in any court of competent jurisdiction.

C.8) In the event any part or parts of this Agreement are found to be void, the remaining provisions shall nevertheless be binding with the same effect as though the void parts were deleted.

C.9) The use of any Mark/Label governed by this Agreement on any unqualified product, or the use of any such Mark/Label by a manufacturing or assembly or other facility other than that registered will not be permitted by the Licensee, its employees, its representatives, and its agents. If the use of any Mark/Label in contravention of this Agreement is discovered, after a due process hearing review by the Certification Committee, the Licensor and Program Sponsor will have cause to institute or seek all or any of the following actions: a) Revocation of license; b) Imposition of an award in favor of Licensor or Program Sponsor of liquidated damages of five thousand dollars (\$5,000); c) Legal action preventing the Licensee from having the applicable Mark/Labels printed, attached, or used in any manner by Licensee, with the entire cost of such legal action to be borne by the Licensee.

C.10) In the event Licensor promptly notified all those to whom it has sent the then most recent issue of the Certified Products Directory or supplement thereto, as well as the National Better Business Bureau and the trade press, regarding any incorrect listing or reference to Licensee's product(s) published in any Certified Products Directory, supplement thereto, or elsewhere, Licensee agrees not to hold Licensor or Program Sponsor liable in any way for any damage caused by such incorrect listing or reference, unless such damage was the result of an intentional tort, willful act or gross negligence by Licensor or Program Sponsor.

C.11) Licensee shall indemnify and hold Licensor and Program Sponsor harmless as to any expense whatsoever for, or incurred in connection with, any claims, losses, or defense of claims or losses, which may be asserted by a third party against Licensor and Program Sponsor by reason of this Agreement and services performed hereunder,

C.12) No party shall make use of the others' trademarks, trade names or name in any manner without the prior written approval of the other provided each party hereby authorizes the other, during the term of this Agreement, to state that the Licensee is a participant in this Certification Program.

THIS LICENSE AGREEMENT may not be transferred, assigned, or otherwise disposed of to any other company, individual, or successor company without the express prior written consent of the Licensee, Licensor, and Program Sponsor.

By mutual agreement of Licensee, Licensor, and Program Sponsor, THIS AGREEMENT supersedes and replaces the predecessor IGCC® Standard License Agreement, in the form executed between the parties, if Licensor, Program Sponsor and Licensee have executed any such predecessor IGCC® Standard License Agreement. If such a predecessor agreement was executed, that predecessor agreement is hereby cancelled, by mutual agreement, effective as of execution of THIS AGREEMENT (which is a successor standard agreement to the earlier IGCC® Standard License Agreement), with the 60 days notice of cancellation period for the predecessor agreement hereby waived by Licensee.

**LICENSEE:** Company \_\_\_\_\_

Street Address \_\_\_\_\_

City, State and Zip \_\_\_\_\_

Telephone Number \_\_\_\_\_

Signed By \_\_\_\_\_ Title \_\_\_\_\_

(Corporate Officer or Authorized Representative)

E-Mail Address: \_\_\_\_\_

Date \_\_\_\_\_

Signed By \_\_\_\_\_ Title \_\_\_\_\_

(Primary IGCC® Certification Program Contact)

E-Mail Address: \_\_\_\_\_

Date \_\_\_\_\_

**LICENSOR:** Administrative Management Systems, Inc. (AMS)

By \_\_\_\_\_ Title President

Date \_\_\_\_\_

**PROGRAM SPONSOR:** Insulating Glass Certification Council, Inc. (IGCC®)

By \_\_\_\_\_ Title Administrative Manager

Date \_\_\_\_\_

AMS/IGCC  
P.O. 730 205 West Main St.  
Sackets Harbor, NY 13685  
Telephone: (315) 646-2234 E-mail: staff@amscert.com

**\*A COPY SIGNED BY LICENSOR AND PROGRAM SPONSOR WILL BE RETURNED TO LICENSEE.**



## Addendum

Where referenced “Sealed Insulating Glass Certification Program” refers to the below certification programs.

### IGCC®/IGMA® Program

On February 3, 2009 the IGCC® Certification Program and IGMA® Certification Program were combined into one program called the IGCC®/IGMA® Certification Program in a formal documented agreement called the ADMINISTRATION SERVICES AND EXCLUSIVE LICENSING AGREEMENT.

The IGCC®/IGMA® ADMINISTRATION SERVICES AND EXCLUSIVE LICENSING AGREEMENT names Insulating Glass Certification Council (IGCC®) responsible for governance of IGCC®/IGMA® Certification Program. As such, the following responsibilities for the IGCC®/IGMA® Certification Program are:

Program Sponsor: IGCC® Insulating Glass Certification Council  
Program Administrator and Certification Body: Administrative Management Systems, Inc.

Relevant and Applicable Requirements:  
IGCC® Procedural Guide and Standards  
IGCC®-IGMA® Certified Products Directory

**IGCC®/IGMA® APPROVED LABORATORIES PRESENTLY CONDUCTING TESTS IN ACCORDANCE WITH ASTM E2190 & E2649 (ID-151)**

Participants in the program may choose any laboratory from the approved lab list.

**California**

**125 - Intertek/ATI**

2524 East Jensen Avenue; Fresno, CA 93706  
Attn: Kenny White, Ryan Johnson, Shannon Stein  
Phone: (559) 233-8705 Fax: (717) 764-4129  
Email: [kenny.white@intertek.com](mailto:kenny.white@intertek.com)  
[Ryan.Johnson@intertek.com](mailto:Ryan.Johnson@intertek.com)  
[Shannon.stein@intertek.com](mailto:Shannon.stein@intertek.com)

**Florida**

**285 - Fenestration Testing Laboratory**

8148 N.W. 74th Avenue; Medley, FL 33166  
Attn: Jose Sanchez, Willy Ruiz  
Phone: (305) 885-3328 Fax: (305) 885-3329  
Email: [jsanchez@gai.com](mailto:jsanchez@gai.com)  
[wruiz@gai.com](mailto:wruiz@gai.com)

**Minnesota**

**150 - Intertek/ATI**

40 51<sup>st</sup> Way NE, Suite 100; Fridley, MN 55421  
Attn: Dan Johnson, Lukas Bayer, Wendy Rusinyak  
Phone: (651) 636-3835 Fax: (651) 636-3843  
Email: [dan.johnson@intertek.com](mailto:dan.johnson@intertek.com)  
[Lukas.bayer@intertek.com](mailto:Lukas.bayer@intertek.com)  
[wendy.rusinyak@intertek.com](mailto:wendy.rusinyak@intertek.com)

**Pennsylvania**

**100 - Intertek/ATI**

130 Derry Court; York, PA 17406  
Attn: Cory Straub, Thomas Mickley  
Phone: (717) 764-7700 Fax: (717) 764-4129  
Email: [cory.straub@intertek.com](mailto:cory.straub@intertek.com)  
[tom.mickley@intertek.com](mailto:tom.mickley@intertek.com)

**800 - NCTL**

5 Leigh Dr.; York, PA 17406  
Attn: Justin Bupp, Drew Klinedinst  
Phone: (717) 846-1200 Fax: (717) 767-4100  
Email: [jbupp@nctlinc.com](mailto:jbupp@nctlinc.com)  
[dklinedinst@nctlinc.com](mailto:dklinedinst@nctlinc.com)

**911 – Molimo Architectural Product Testing**

1410 Eden Road York PA 17402  
Attn: Lance Cunningham, Michael Stremmel  
Phone: (717) 916-6300 Fax: (717) 316-5788  
Email: [lcunningham@molimo.net](mailto:lcunningham@molimo.net)  
[mstremmel@molimo.net](mailto:mstremmel@molimo.net)

**Texas**

**175 - Intertek/ATI**

1909 10<sup>th</sup> St, Suite 100; Plano, TX 75074  
Attn: Lucio "Fred" Munoz, Scott Sallay, Cassandra Matthews  
Phone: (469) 814-0687  
Email: [lucio.munoz@intertek.com](mailto:lucio.munoz@intertek.com)  
[cassandra.matthews@intertek.com](mailto:cassandra.matthews@intertek.com)  
[scott.sallay@intertek.com](mailto:scott.sallay@intertek.com)

**Washington**

**195 - Intertek/ATI**

22155 68th Avenue South; Kent, WA 98032-1937  
Attn: Patricia Cain  
Phone: (253) 395-5656  
Email: [patricia.cain@intertek.com](mailto:patricia.cain@intertek.com)

**IGCC®/IGMA® APPROVED LABORATORIES PRESENTLY CONDUCTING TESTS IN ACCORDANCE WITH ASTM E2190 & E2649 (ID-151)**

Participants in the program may choose any laboratory from the approved lab list.

**Canada**

**60 - CAN-BEST**

38 Regan Road, Unit 4; Brampton, ON L7A 1C6 Canada  
Attn: Elie Alkhoury, Michael Barrera  
Phone: (905) 840-2014  
Email: [elie@can-best.com](mailto:elie@can-best.com)  
[michael@can-best.com](mailto:michael@can-best.com)

**50 - Element Materials Technology Canada Inc. (fka Exova)**

2395 Speakman Drive; Mississauga, ON L5K 1B3 Canada  
Attn: Mark Balonzo  
Phone: (905) 822-4111  
Email: [Mark.Balonzo@element.com](mailto:Mark.Balonzo@element.com)

**China**

**55 - China National Safety Glass & Quartz Glass Test Center**

Guanzhuang Dongli 1#  
Chaoyang District  
Beijing, PR CHINA 100024  
Attn: Mr. Wang Geng  
Phone: +86-10-51167155  
Email: [wg@ctc.ac.cn](mailto:wg@ctc.ac.cn)

**925 - Intertek**

Block E. No 7-2 Guang Dong Software Science Park  
Caipin Road, Guangzhou Science City  
Guangzhou, CHINA 510663  
Attn: Fred Bao  
Phone: +86 21 61136116  
Email: [Fred.bao@intertek.com](mailto:Fred.bao@intertek.com)

**80-Shanghai Institute of Quality Inspection & Technical Research (SQI)**

No. 900, Jiangyue Road,  
Minhang District, Shanghai CHINA 201114  
Attn: Ms. Longmei Wang  
Phone: +86-21-54336371  
Email: [walm74@163.com](mailto:walm74@163.com)